

AUTOMATION

ACCESSORIES & CONTROLS

LIMIT SWITCHES



POSITIONERS



SOLENOIDS



AUTOMATED ASSEMBLIES



ZENITH ACCESSORIES & CONTROLS

Zenith automation accessories can be customized to meet your specific control needs.

LIMIT SWITCHES

ZLS-2



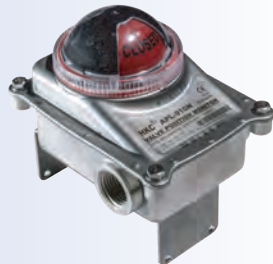
ZLS-3



ZLS-5



ZLS-9



POSITIONERS

ZPP



ZEP



ZSP-5



ZSP-7



DECLUTCHABLE GEAR OVERRIDES

ZDGO



DIRECT MOUNT SOLENOIDS



10080 Commerce Park Dr.
Cincinnati, OH, 45246
513-499-3820
www.m-zcontrols.com

Distributed By:

ZENITH ACCESSORIES & CONTROLS

ZENITH PNEUMATIC POSITIONER

ZPP

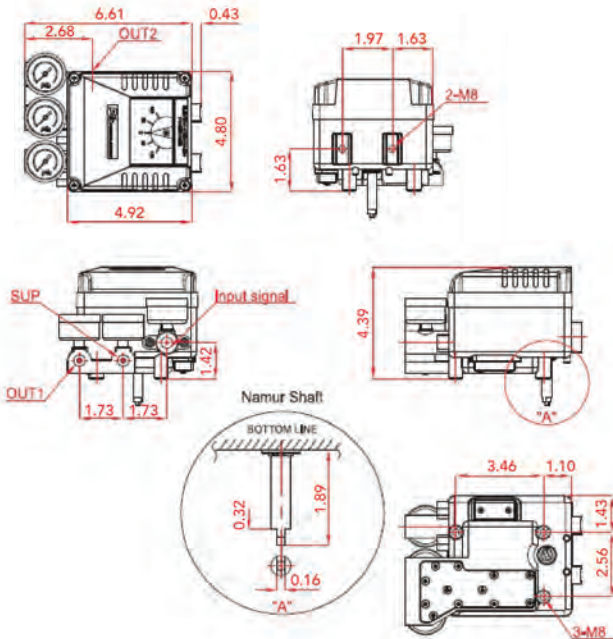


- Pneumatic positioner
- Weatherproof enclosure
- NAMUR mounting

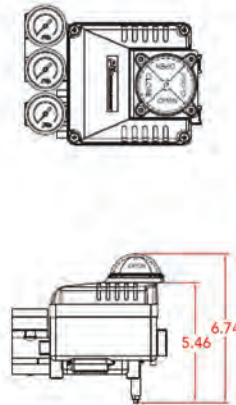
SPECIFICATIONS

INPUT SIGNAL: 0.2-1.0 bar (3-15 psi) (Note.1,2)
SUPPLY AIR PRESSURE: Max. 7.0 bar (100 psi)
STANDARD STROKE: 60-100° (Note.3)
PNEUMATIC CONNECTIONS: PT(Rc) 1/4 or NPT 1/4
AMBIENT TEMPERATURE: -20 ~ +70°C (Note.4)
PRESSURE GAUGE: Stainless steel
OUTPUT CHARACTERISTICS: Linear
LINEARITY (SINGLE): Within $\pm 1.0\%$ F.S
LINEARITY (DOUBLE): Within $\pm 1.5\%$ F.S
SENSITIVITY: Within $\pm 0.5\%$ F.S
HYSTERESIS: Within $\pm 1.0\%$ F.S
REPEATABILITY: Within $\pm 0.5\%$ F.S
AIR CONSUMPTION: 5 LPM (Sup.1.4 bar)
FLOW CAPACITY: 80 LPM (Sup.1.4 bar)
BODY MATERIAL: Aluminium die-cast
WEIGHT: 2.5 kg

WITH FLAT INDICATOR



WITH DOME INDICATOR



10080 Commerce Park Dr.
 Cincinnati OH, 45246
 513-499-3820
 www.m-zcontrols.com

Distributed By:

ZENITH ACCESSORIES & CONTROLS

ZPP HOW TO ORDER

1) Series	2) Feedback Lever	3) Pressure Gauge	4) Pilot Valve Orifice	5) Position Feedback
ZPP	N - NAMUR Shaft (Direct Mounting)	2 - 150 psi	S - Standard	L - 2x SPDT Limit Switches M - 2x SPDT Limit Switches and 4-20mA Transmitter N - None O - Analog Position Transmitter (4-20mA)
6) Connection	7) Dome Indicator	8) Temperature	9) Mounting Bracket	
4 - 1/4" NPT Supply	D - Dome Indicator N - Flat Indicator (Standard)	T - -20°C to 70°C	R - Multi-Size NAMUR Bracket	

How to Order: {1}-{2}{3}{4}{5}{6}{7}{8}{9}
Example: ZPP-N2SN4NTR



10080 Commerce Park Dr.
 Cincinnati OH, 45246
 513-499-3820
www.m-zcontrols.com

Distributed By:

ZENITH ACCESSORIES & CONTROLS

ZENITH ELECTRO-PNEUMATIC POSITIONERS

ZEP



- Electropneumatic positioner
- Weatherproof enclosure
- UL listed electropneumatic positioner
- NAMUR mounting

SPECIFICATIONS

POWER SUPPLY RATING: 5.5-30 VDC loop power

RECOMMENDED POWER SUPPLY: 24 VDC

OUTPUT SIGNAL: 4-20 mA, 2-wire

OPERATING TEMPERATURE: -20°C ~ +85°C

LOAD IMPEDANCE: 0 ~ 600 ohms

MAX. OUTPUT: 30 mA DC

LINEARITY: ± 1.0%

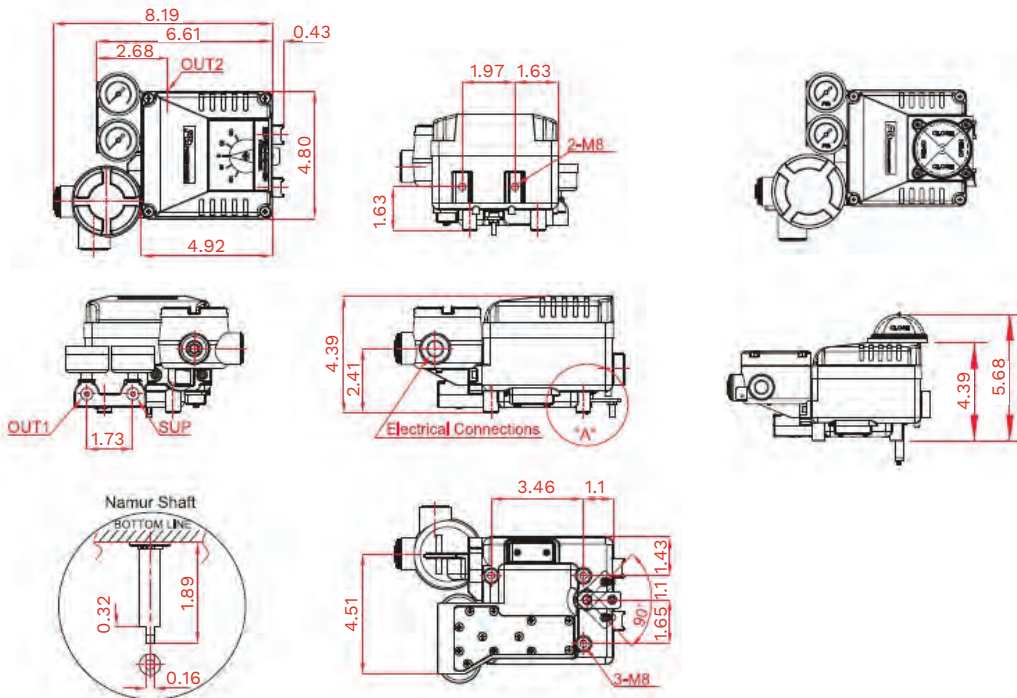
HYSTERESIS: 1.0% of full scale

REPEATABILITY: ± 0.5% of full scale

ADJUSTMENT: Zero and Span in terminal box

WITH FLAT INDICATOR

WITH DOME INDICATOR



10080 Commerce Park Dr.
Cincinnati OH, 45246
513-499-3820
www.m-zcontrols.com

Distributed By:

ZENITH ACCESSORIES & CONTROLS

ZEP HOW TO ORDER

1) Series	2) Hazardous Area and Protection	3) Feedback Shaft	4) Pressure Gauge	5) Pilot Valve Orifice
ZEP	U - UL W - Weatherproof to IP66	N - NAMUR Shaft (Direct Mounting)	2 - 150 psi	S - Standard
6) Position Feedback	7) Connection	8) Dome Indicator	9) Temperature	10) Mounting Bracket
L - 2x SPDT Limit Switches M - 2x SPDT Limit Switches and 4-20mA Transmitter N - None O - Analog Position Transmitter (4-20mA)	4 - 1/4" NPT Supply with 1/2" NPT Conduit Entry	D - Dome Indicator N - Flat Indicator (Standard)	T - -20°C to 70°C	R - Multi-Size NAMUR Bracket

How to Order: {1}-{2}{3}{4}{5}{6}{7}{8}{9}{10}
Example: ZEP-WN2SN4NTR

ZENITH ACCESSORIES & CONTROLS

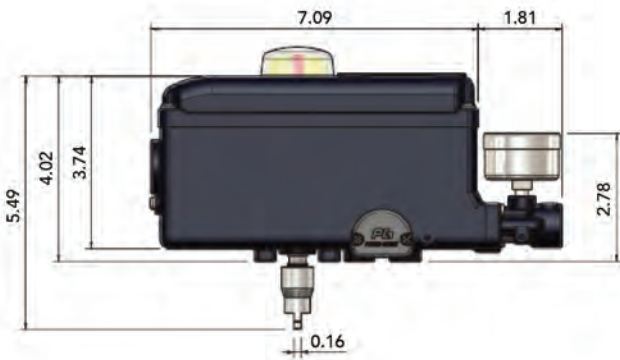
ZENITH SMART POSITIONERS

ZSP-5

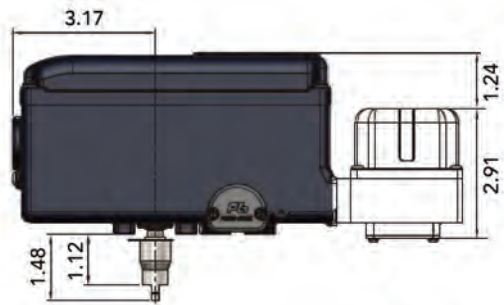
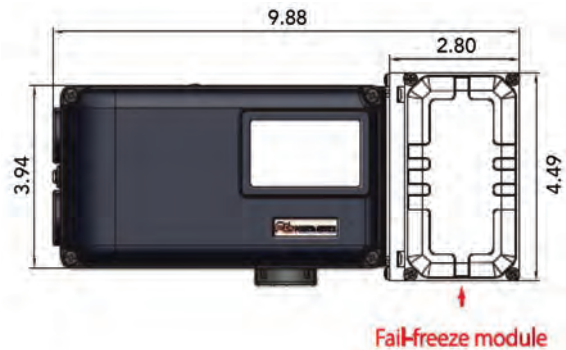


- Quick auto-calibration
- High resolution display
- HART communication ver. 7 (option)
- Aluminum (standard) and stainless steel (option)
- NAMUR mounting
- Weatherproof to IP66
- Intrinsically safe Ex ia IIC (IIIC) T85 C, T100 C (Option)
- Fail freeze (option)

ZSP-5



ZSP-5-FF



10080 Commerce Park Dr.
Cincinnati OH, 45246
513-499-3820
www.m-zcontrols.com

Distributed By:

ZENITH ACCESSORIES & CONTROLS

SPECIFICATIONS

Input	
Standard	
Supply power	4 to 20mA, Loop powered
Max.	50mA
Min.	3.6mA
Load voltage at 20mA	6.8V
Impedance at 20mA	340 Ω
HART Communication ver. 7	
- Without advanced diagnostics	
Load voltage at 20mA	7.8V
Impedance at 20mA	390 Ω
- With advanced diagnostics (with 4 pressure sensors)	
Load voltage at 20mA	9.5V
Impedance at 20mA	475 Ω
Fail Freeze option (Fail freeze mode : Input signal <3.6mA)	
- Standard	8.3V , 415Ω @ 20mA
- HART Communication	9.3V , 465Ω @ 20mA
- HART + Advanced diagnostics	11 V , 550Ω @ 20mA
Output	
Range	0 – 7 bar (0 – 100 psi) 2.5 L.P.M
Air consumption	at 1.4 bar (20 psi) supply pressure 3.0 L.P.M
	at 6 bar (90 psi) supply pressure 250 L.P.M
Air Capacity	at 1.4 bar (20 psi) supply pressure 300 L.P.M
	at 6 bar (90 psi) supply pressure
Air Supply	
Instrument air	free of oil, water and dust acc. to DIN/ISO 8573-1 pollution and oil content according to Class 3
Supply pressure	1.4 to 7 bar (20 to 100 psi)
Applicable actuators	
Operating type	Linear, Rotary, Remote
Acting type	Single, Double
Action	direct action(DA), reverse action(RA)
Linkage type	
Travel range	Linear : 10 – 120 mm
	Rotary : 30° – 150° rotation angle
Linkage-less type	
Travel range	Linear : 10 – 120 mm
	Rotary : 30° – 150° rotation angle
	Remote : 3, 5, 10, 15, 20, 30m
※ Other travel range on request	
Characteristics	
Linearity	< ±0.5% F.S
Sensitivity	< ±0.3% F.S
Hysteresis	< ±0.3% F.S
Repeatability	< ±0.2% F.S
Performance characteristic	Linear, Shape (EQ%, Quick), User set

Enclosure	
Material	Aluminum die-cast + Epoxy-coated
	316 Stainless steel housing
Protection class	IP66
Pneumatic connections	PT 1/4
	NPT 1/4
Electrical connections	PF 1/2
	NPT 1/2
	M20 x 1.5
Weight	2.4 kg – Aluminum die-cast
	4.5 kg – Stainless steel 316

Hazardous area approvals	
ECEX	
ATEX	Intrinsically Safe, Ex ia IIC T6/T5 Gb
KCs	Ex ia IIIC T85 C, T100 C Db
CCC / EAC	

Environmental influences	
Ambient temperature	Standard : -30 to 80°C (-22 to 176°F)
Operating temperature of LCD	-30 to 80°C (-22 to 176°F)
Vibration	2G, 5 to 400 Hz
Humidity	The dew point should be at least 10°C lower than the temperature of this device.

Feedback options	
Position Transmitter (Output signal)	
Output signal	4-20mA, 2-wired
Supply voltage	12-30VDC
Load Limitation	0 – 1000 Ω (Normally 650Ω at 24VDC)
Linearity	± 0.5%

Limit switches – Programmable software limit switches	
Type	2 x software limit switch
Rating	24VDC

Limit switches – Micro switches	
Type	2 x SPDT
Rating	5A @ 220VAC
Contact	Silver alloy
Ambient temperature	-30 - +85°C

Limit switches – proximity sensors	
Type	NAMUR NC or NO
Supply voltage	Nominal 8.2VDC (5 – 11 VDC)
Current consumption	Target not detected > 3mA
	Target detected < 1mA
Ambient temperature	-40 - +100°C

Mounting brackets	
Linear type	IEC 60534-6-1
Rotary type	IEC 60534-6-2



10080 Commerce Park Dr.
Cincinnati OH, 45246
513-499-3820
www.m-zcontrols.com

Distributed By:

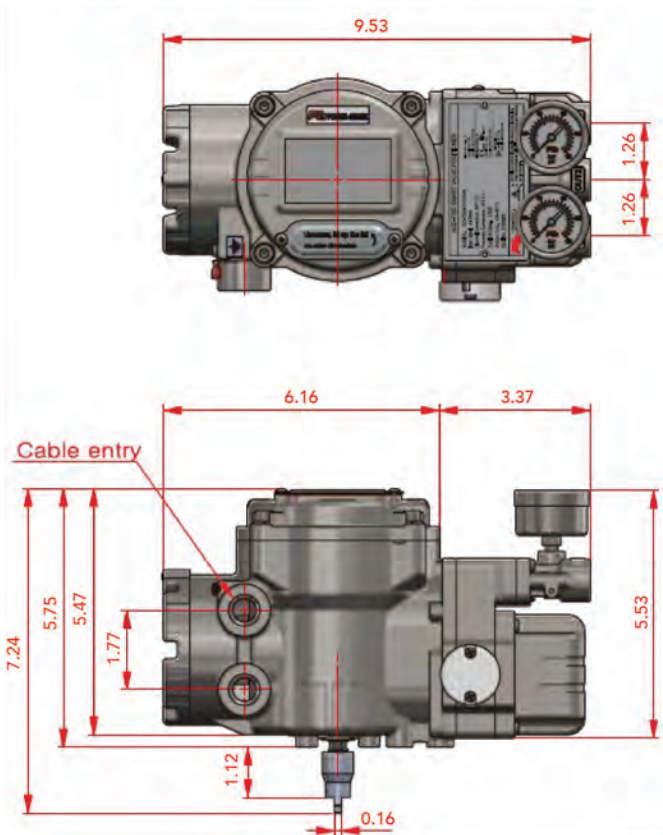
ZENITH SMART POSITIONERS

ZSP-7



- Quick auto-calibration
- High resolution display
- HART communication ver. 7 (option)
- Aluminum (standard) and stainless steel (option)
- NAMUR mounting
- Weatherproof to IP66
- Flameproof Ex db IIC T6/T5 Gb
- Dustproof EX tb IIIC T85°C/ T100°C Db

ZSP-7



ZENITH ACCESSORIES & CONTROLS

SPECIFICATIONS

Input	
Standard	
Supply power	4 to 20mA, Loop powered
Max.	50mA
Min.	3.6mA
Load voltage at 20mA	6.8V
Impedance at 20mA	340 Ω
HART Communication ver. 7	
- Without advanced diagnostics	
Load voltage at 20mA	7.8V
Impedance at 20mA	390 Ω
- With advanced diagnostics (with 4 pressure sensors)	
Load voltage at 20mA	9.5V
Impedance at 20mA	475 Ω
Output	
Range	0 – 7 bar (0 – 100 psi)
Air consumption	2.5 L.P.M
	at 1.4 bar (20 psi) supply pressure
	3.0 L.P.M
Air Capacity	at 6 bar (90 psi) supply pressure
	250 L.P.M
	at 1.4 bar (20 psi) supply pressure
	300 L.P.M
	at 6 bar (90 psi) supply pressure
Air Supply	
Instrument air	free of oil, water and dust acc. to DIN/ISO 8573-1 pollution and oil content according to Class 3
Supply pressure	1.4 to 7 bar (20 to 100 psi)
Applicable actuators	
Operating type	Linear, Rotary, Remote
Acting type	Single, Double
Action	direct action(DA), reverse action(RA)
Linkage type	
Travel range	Linear : 10 – 120 mm
	Rotary : 30° – 150° rotation angle
Linkage-less type	
Travel range	Linear : 10 – 120 mm
	Rotary : 30° – 150° rotation angle
	Remote : 3, 5, 10, 15, 20, 30m
※ Other travel range on request	
Characteristics	
Linearity	< ±0.5% F.S
Sensitivity	< ±0.3% F.S
Hysteresis	< ±0.3% F.S
Repeatability	< ±0.2% F.S
Performance characteristic	Linear, Shape (EQ%, Quick), User set

Enclosure	
Material	Aluminum die-cast + Epoxy-coated 316 Stainless steel housing
Protection class	IP66
Pneumatic connections	PT 1/4
	NPT 1/4
Electrical connections	NPT 1/2
	M20 x 1.5
Weight	2.4 kg – Aluminum die-cast
	4.5 kg – Stainless steel 316
Hazardous area approvals	
IECEX	Flameproof,
ATEX	Ex db IIC T6/T5 Gb
KCs	Dustproof
CCC / EAC	Ex tb IIIC T85°C / T100°C Db
Environmental influences	
Ambient temperature	Standard : -30 to 80°C [-22 to 176°F]
Operating temperature of LCD	-20 to 80°C [-4 to 176°F]
Vibration	2G, 5 to 400 Hz
Humidity	The dew point should be at least 10°C lower than the temperature of this device.
Feedback options	
Position Transmitter (Output signal)	
Output signal	4-20mA, 2-wired
Supply voltage	12-30VDC
Load Limitation	0 – 1000 Ω (Normally 650Ω at 24VDC)
Linearity	± 0.5%
Limit switches – Programmable software limit switches	
Type	2 x software limit switch
Rating	24VDC
Mounting brackets	
Linear type	IEC 60534-6-1
Rotary type	IEC 60534-6-2



10080 Commerce Park Dr.
Cincinnati OH, 45246
513-499-3820
www.m-zcontrols.com

Distributed By:

ZENITH ACCESSORIES & CONTROLS

ZSP HOW TO ORDER

1) Series	2) Model	3) Body Material	4) Actuator Operation	5) Feedback Type
ZSP	5 - Weatherproof/Intrinsically Safe Smart Positioner 7 - Flameproof/Dustproof Smart Positioner	0 - Aluminum 1 - Stainless Steel	1 - Rotary 2 - Linear	0 - Linkage Type
6) Hazardous Area and Protection		7) Feedback Size	8) Guages	9) Indicator
F - Flameproof Ex db IIIC T6/T5 Gb Dustproof Ex tb IIIIC T85°C/T100°C Db Weatherproof to IP66 I - Intrinsically Safe Ex ia IIC Ex ia IIIC T85 C,T100 C W - Weatherproof to IP66		N - NAMUR Shaft	2 - 150 psi	N - None Y - Beacon Indicator ZSP-5 Only
10) Position Feedback	11) Limit Switches	12) Communication	13) Connection	
A - Advanced Diagnostics & Position Transmitter N - None O - Position Transmitter (4-20mA)	L - 2x 24VDC software limit switches N - None P - 2x Proximity Sensor ZSP-5 Only S - 2x micro switch (SPDT) ZSP-5 Only	H - HART Communication	4 - 1/4"NPT Supply 1/2" NPT Conduit Entry	
14) Mounting Bracket	15) Remote Cable	16) Temperature	17) Fail Position	
R - Multi-Size NAMUR Bracket	Blank - None	Blank - Standard (-30°C to +80°C) LT - Low Temp (-40°C to +80°C)	Blank - None FL - Fail Freeze ZSP-5 Only	

How to Order: {1}{2}{3}{4}{5}{6}{7}{8}{9}{10}{11}{12}{13}{14}{15}{16}{17}
Example: ZSP5-010IN2NONH4



10080 Commerce Park Dr.
 Cincinnati OH, 45246
 513-499-3820
 www.m-zcontrols.com

Distributed By:

ZENITH ACCESSORIES & CONTROLS

LIMIT SWITCH ZLS-2

ZLS-2



- Aluminum die-cast, compact size, and light weight
- High corrosion resistance due to double chromate treatment and polyester powder coating
- Double sealed indicator that prevents water ingress in case of a dome failure
- With spring loaded cams, limit positions can be easily set without tools

SPECIFICATIONS

MATERIAL: High-grade aluminum alloy, chromate treated twice, polyester powder coated

ENCLOSURE: Weatherproof enclosure (IP67, type 4X)

TRAVEL ANGLE: 0-90°

AMBIENT TEMPERATURE: -4°F to +176°F (-20°C to +80°C)

SWITCHES: 2 mechanical switches or proximity sensors

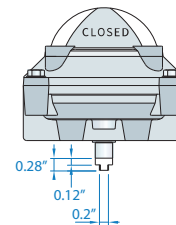
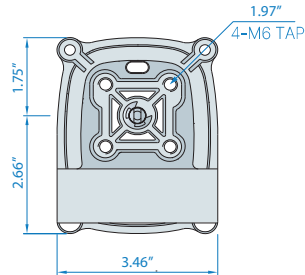
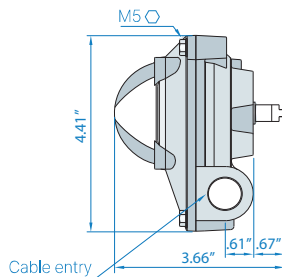
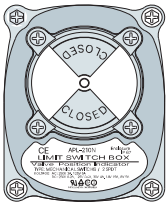
TERMINAL POINTS: 8 points

WEIGHT: 1.1 lbs (without bracket)

OPTIONAL SPECIFICATIONS

INDICATOR: L-Port and T-port 3-way

ZLS-2



NAMUR Standard



10080 Commerce Park Dr.
Cincinnati OH, 45246
513-499-3820
www.m-zcontrols.com

Distributed By:

ZENITH ACCESSORIES & CONTROLS

LIMIT SWITCH ZLS-3

ZLS-3



- Aluminum die-cast, compact size, and light weight
- High corrosion resistance due to double chromate treatment and polyester powder coating
- Double sealed indicator that prevents water ingress in case of a dome failure
- With spring loaded cams, Limit positions can be easily set without tools
- Up to 4 mechanical switches or proximity sensors

SPECIFICATIONS

MATERIAL: High-grade aluminum alloy, chromate treated twice, polyester powder coated

ENCLOSURE: Weatherproof enclosure (IP67, type 4X)

TRAVEL ANGLE: 0-90°

AMBIENT TEMPERATURE: -4°F to +176°F (-20°C to +80°C)

SWITCHES: 2 mechanical switches or proximity sensors

TERMINAL POINTS: 8 points

WEIGHT: 1.1 lbs (without bracket)

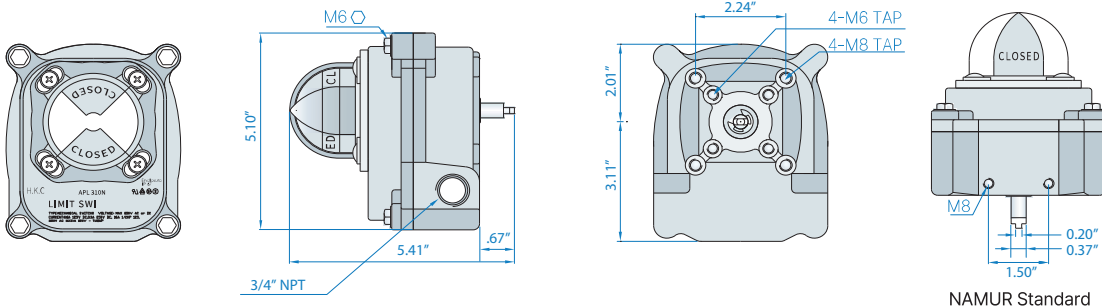
OPTIONAL SPECIFICATIONS

TERMINAL POINTS: 10, 12, 14 points

CONTROLS: PIU, CPT Current Position Transmitter (output: 4 - 20 mA dc)

INDICATOR: L-Port and T-port 3-way available

ZLS-3



10080 Commerce Park Dr.
Cincinnati OH, 45246
513-499-3820
www.m-zcontrols.com

Distributed By:

ZENITH ACCESSORIES & CONTROLS

LIMIT SWITCH ZLS-5

ZLS-5



- Aluminum die-cast, compact size, and light weight
- High corrosion resistance due to double chromate treatment and polyester powder coating
- Double sealed indicator that prevents water ingress in case of a dome failure
- With spring loaded cams, Limit positions can be easily set without tools
- Stainless steel 316 option

SPECIFICATIONS

MATERIAL: High grade aluminum alloy, chromate treated twice & polyester powder coated

ENCLOSURE: Flameproof enclosure Ex db IIC T6, dust ignition proof Ex tb IIC T85°C, Intrinsic safety Ex ia IIC T6, IP67, type 4X

TRAVEL ANGLE: Standard 0-90°

AMBIENT TEMPERATURE: Standard -4°F to +176°F (-20°C to +80°C)

CABLE ENTRIES: 2x 3/4" NPT

SWITCHES: 2 x mechanical switches or proximity sensors

TERMINAL POINTS: 8 points

WEIGHT: 2.6 lbs

INDICATOR: 2-way

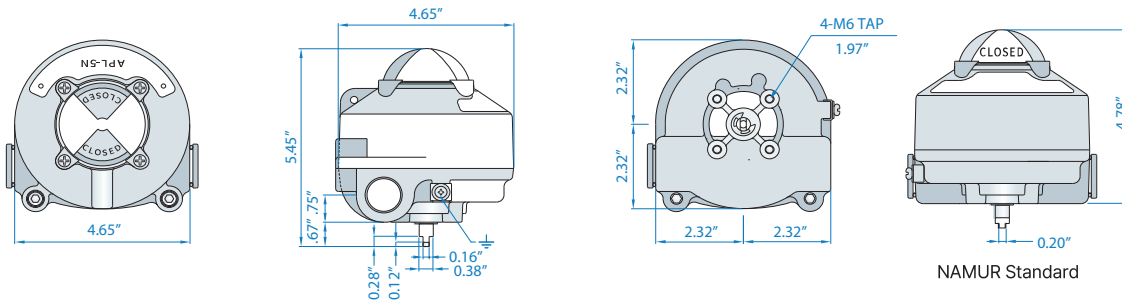
OPTIONAL SPECIFICATIONS

TERMINAL POINTS: 10, 12 points

CONTROLS: PIU, CPT Current Position Transmitter (output: 4 - 20 mA dc)

INDICATOR: L-Port and T-port 3-way available

ZLS-5



10080 Commerce Park Dr.
Cincinnati OH, 45246
513-499-3820
www.m-zcontrols.com

Distributed By:

ZENITH ACCESSORIES & CONTROLS

LIMIT SWITCH ZLS-9

ZLS-9



- Stamped stainless steel 304 material
- Lightweight, robust and has high corrosion resistance
- With spring loaded cams, limit positions can be easily set without tools

SPECIFICATIONS

MATERIAL: Stainless Steel 304

ENCLOSURE: Weatherproof to IP67

TRAVEL ANGLE: 0-90°

AMBIENT TEMPERATURE: -4°F to +176°F (-20°C to +80°C)

CABLE ENTRIES: 2x ½" NPT

SWITCHES: 2 x mechanical switches or proximity

WEIGHT: 1.5 lbs

INDICATOR: 2-way

ZLS-9



10080 Commerce Park Dr.
Cincinnati OH, 45246
513-499-3820
www.m-zcontrols.com

Distributed By:

ZENITH ACCESSORIES & CONTROLS

ZLS HOW TO ORDER

1) Series	2) Model	3) Switches	4) Body	5) Bracket	6) Special 1
ZLS	2 - General Purpose Enclosure 3 - General Purpose Enclosure 4 - Explosion Prood Enclosure 5 - Explosion Prood Enclosure 9 - General Purpose SST Enclosure	10 - (2)-SPDT, 250V 4A Max, -40°C to +60°C 12 - (4)-SPDT, 250V 4A Max, -40°C to +60°C 13 - (2)-SPST, 250V 4A Max, -40°C to +60°C 14 - (2)-DPDT, 250V 4A Max, -25°C to +60°C 15 - (2)-SPDT + Potentiometer, 250V 4A Max, -40°C to +60°C 16 - (2)-SPDT + 4-20mA, 250V 4A Max, -40°C to +60°C 18 - (2)-SPDT Omron , 30Vdc 0.1A Max, -25°C to +60°C 20 - P&F NJ2-V3-N Prox Sensor, 8.2V nom. 15mA nom., -25°C to +60°C 21 - Autonics PS17-5DxU Prox Sensor, 10-30Vdc 2-100mA, -25°C to +60°C 22 - P&F NJ4-12GM-N Prox Sensor, 8.2V nom. 15mA nom., -25°C to +60°C 23 - P&F NBBx-V3-Zx Prox Sensor, 30Vdc 100mA Max, -25°C to +60°C 25 - P&F NJ2-V3-N Prox Sensor + Potentiometer, 8.2V nom. 15mA nom., -25°C to +60°C 26 - P&F NJ2-V3-N Prox Sensor + 4-20mA, 8.2V nom. 15mA nom., -25°C to +60°C 27 - P&F NBBx-V3-Ex Prox Sensor, 30Vdc 100mA Max, -25°C to +60°C 28 - P&F NJx-1xxx-N-XXX Prox Sensor, 8.2V nom. 15mA nom., -25°C to +60°C 29 - P&F NJ4-12GK-SN Prox Sensor, 8.2V nom. 15mA nom., -40°C to +60°C 30A - MEC MS-B301 Reed Switch, 200 Vdc 0.5A Max, -40°C to +60°C 30B - MK21 model 85 Reed Switch, 250V 1A Max, -40°C to +60°C 31 - MK21 model 66 Reed Switch, 180V 0.5A Max, -40°C to +60°C 32 - MK21 model 90 Reed Switch, 175V 0.5A Max, -40°C to +60°C 34 - HKC APH-634W Reed Switch, 120Vdc 3.5A Max, -40°C to +60°C 35 - HKC APH-933W Reed Switch, 500 Vdc 3A Max, -40°C to +60°C 36 - HKC APH-27103 Reed Switch, 500 Vdc 1A Max, -40°C to +60°C 40 - P&F SJ3,5-SN Inductive Slot Sensor, 8.2V nom. 15mA nom., -40°C to +60°C H1 - (2)-SPDT Honeywell 11SX22-T, 250V 4A Max, -40°C to +60°C H2 - (2)-SPDT Honeywell 12SX1-T, 125V 1A Max, -40°C to +60°C H3 - (2)-SPDT Honeywell 13SX21-T, 125V 1A Max, -40°C to +60°C H4 - (4)-SPDT Honeywell 11SX22-T, 250V 4A Max, -40°C to +60°C H5 - (4)-SPDT Honeywell 12SX1-T, 125V 1A Max, -40°C to +60°C H6 - (4)-SPDT Honeywell 13SX21-T, 125V 1A Max, -40°C to +60°C	N - Aluminum S - Stainless Steel	_ - Blank if no Bracket 01 - MBP-100 (30MM*80MM H:20MM) 03 - MBP-300 (30MM*130MM H:30MM)	_ - Blank if no special L - 3-WAY DOME INDICATOR - L-PORT T - 3-WAY DOME INDICATOR - T-PORT

How to Order: {1}-{2}{3}{4}-{5}-{6}
Example: ZLS-510N



10080 Commerce Park Dr.
 Cincinnati OH, 45246
 513-499-3820
www.m-zcontrols.com

Distributed By:

ZENITH ACCESSORIES & CONTROLS

SOLENOIDS

NEMA 4 SINGLE COIL



NEMA 4 DUAL COIL



STAINLESS STEEL SINGLE COIL / DUAL COIL

- NAMUR Mounting
- Enclosure Rating of IP65
- 12VDC, 24VDC, 120VAC, and 220VAC models
- Intrinsically Safe option
- Manual override

SPECIFICATIONS

General	Function	5/2 Valve (5 Port, 2 Position)		
	Mounting	NAMUR Interface (VDI/VDE 3845)		
	Connection	1/4" NPT		
	Manual Override	Locking		
Operating Conditions	Temperature	-4°F to -158°F (-20°C to -70°C)		
	Flow Media	Filtered Air		
	Operating Pressure	21 to 114 psi		
Electrical Data	Solenoids	Current	Operating Voltage	Power Consumption
			AC	110V ±15%
		DC	220V ±15%	4.5 VA
			12V ±10%	3.0 VA
	24V ±10%	3.0 VA		
Enclosure Rating	IP65			
Construction Material	Valve Body	Aluminum		
	Spool	Aluminum		
	Seals	Buna/NBR		

SCHEMATIC

Single



Dual

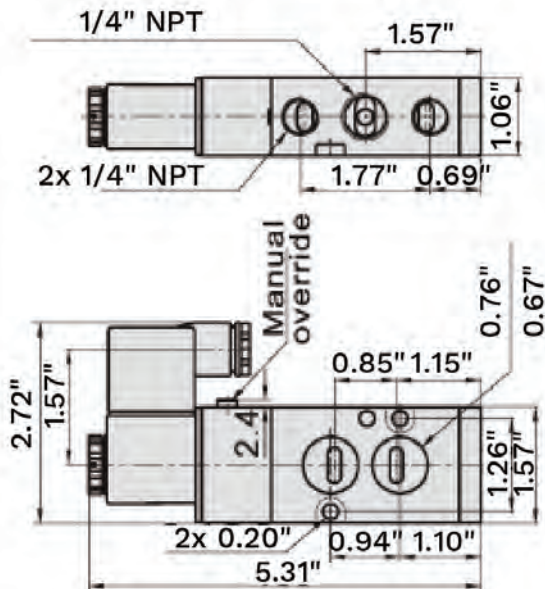


10080 Commerce Park Dr.
Cincinnati OH, 45246
513-499-3820
www.m-zcontrols.com

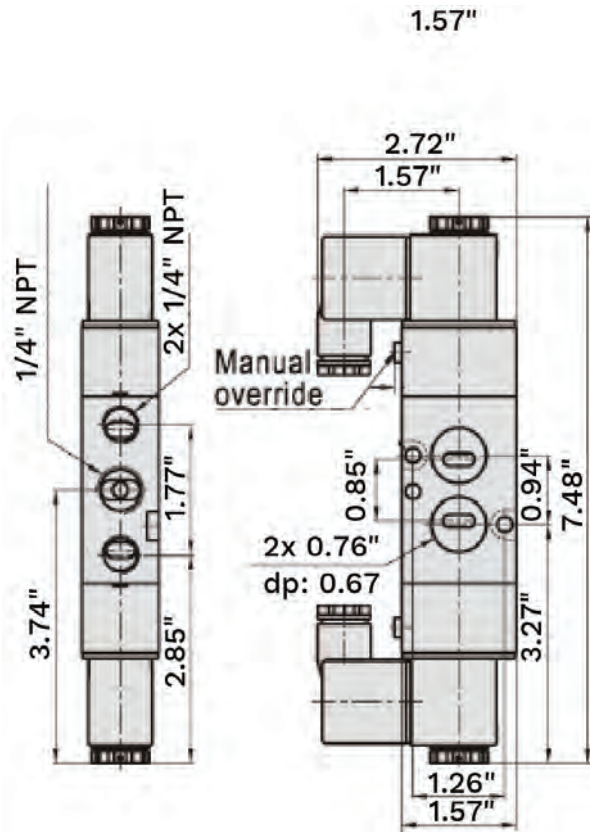
Distributed By:

ZENITH ACCESSORIES & CONTROLS

ZSV SINGLE



ZSV DOUBLE



HOW TO ORDER ZSV

1) Series	2) Material	3) Type	4) Port	5) Coil Rating	6) Coil Connection	7) Coil Voltage
ZSV	X - Aluminum	41 - 5/2 Single Coil 42 - 5/2 Dual Coil	1 - 1/4" NPT	4 - Weatherproof	N - DIN Connector	A120 - 120 VAC D24 - 24 VDC



10080 Commerce Park Dr.
Cincinnati OH, 45246
513-499-3820
www.m-zcontrols.com

Distributed By:

ZENITH ACCESSORIES & CONTROLS

NEMA 7 SINGLE COIL

NEMA 7 DUAL COIL

STAINLESS STEEL SINGLE COIL / DUAL COIL

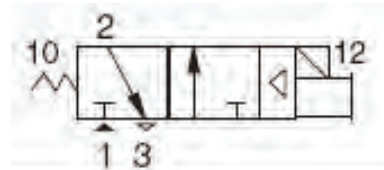
- NAMUR Mounting
- Enclosure Rating of IP65
- Ex. m II T4 | CL I DIV 1 GP A,B,C,D | CL II GP E,F,G
- Intrinsically Safe option
- Aluminum and Stainless Steel Options

SPECIFICATIONS

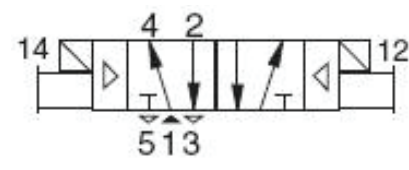
General	Function	5/2 Valve (5 Port, 2 Position)		
	Mounting	NAMUR Interface (VDI/VDE 3845)		
	Connection	1/4" NPT		
	Manual Override	Locking		
Operating Conditions	Temperature	-20° to 123°F (-29° to 50°C)		
	Flow Media	Filtered Air		
	Operating Pressure	35 to 150 psi		
Electrical Data	Solenoids	Current	Operating Voltage	Power Consumption
		AC	120V, 60 Hz	6.5 VA
			240V, 60 Hz	6.8 VA
		DC	12V	4.5 watts
	24V		4.5 watts	
Enclosure Rating	IP65			
Electrical Rating	CSA, FM Certified Coil			
Construction Material	Valve Body	Aluminum or Stainless Steel		
	Solenoid Body	Polyamid 66		
	Spool	Aluminum		
	Seals	Buna-n, Fluoroelastomer		
Safety Data	SIL	IEC61508: level 2(SIL2) in singular application with HFT = 0, and SIL 3 and PL e in redundant application with HFT > 1		

SCHEMATIC

Single

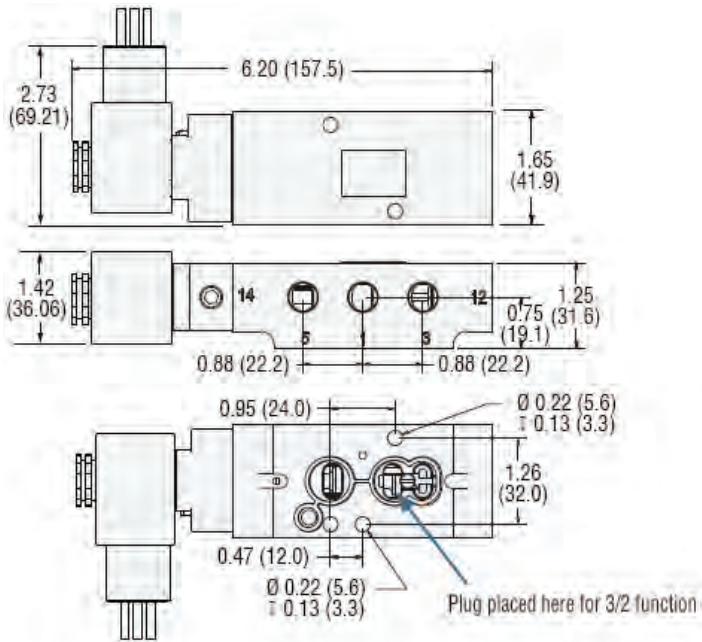


Dual

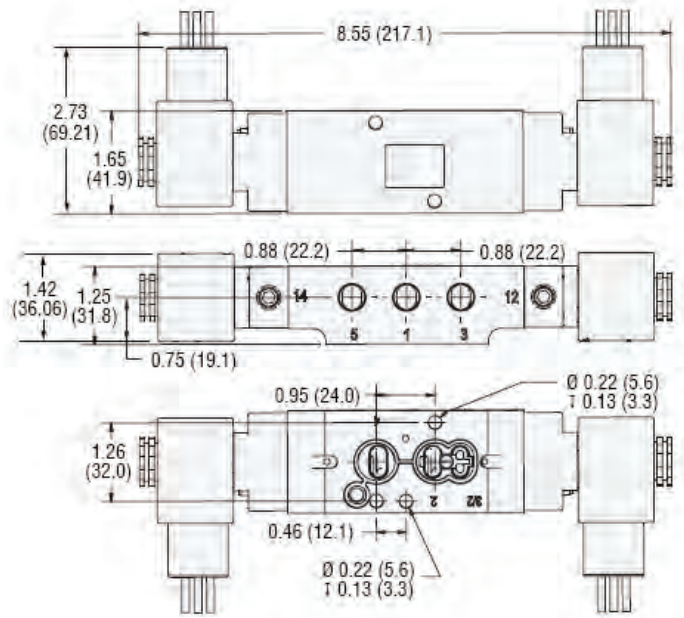


ZENITH ACCESSORIES & CONTROLS

ZSV SINGLE



ZSV DOUBLE



HOW TO ORDER ZESV

1) Series	2) Material	3) Type	4) Port	5) Coil Rating	6) Coil Connection	7) Coil Voltage
ZESV	S - Stainless Steel X - Aluminum	41 - 5/2 Single Coil 42 - 5/2 Dual Coil	1 - 1/4" NPT	7 - Ex	C - Conduit Connector with Flying Leads	A120 - 120 VAC D24 - 24 VDC



10080 Commerce Park Dr.
Cincinnati OH, 45246
513-499-3820
www.m-zcontrols.com

Distributed By:

ZENITH ACCESSORIES & CONTROLS

DECLUTCHABLE GEAR OPERATORS “SANDWICH MOUNT”



- Rugged cast steel design
- STD. breather block
- Easy/safe declutch operation

SPEED CONTROLS & FLOW CONTROLS



LOCKUP VALVES



FILTER REGULATORS



VOLUME BOOSTERS



10080 Commerce Park Dr.
Cincinnati OH, 45246
513-499-3820
www.m-zcontrols.com

Distributed By: