



SERIES M10

**Economical | One-Piece
Ball Valves | 1/4" to 2"
Regular Port | 2000 PSI**

DESIGN ADVANTAGES

- For general industrial and chemical applications.
- One-piece design.
- Blow-out proof stem.
- Available in stainless steel only.
- Investment cast body construction.

END CONNECTIONS

- Threaded Ends

SPECIFICATIONS

CONSTRUCTION: One-Piece Body, Regular Port

SIZE: 1/4" to 2" **STEM:** 316 S.S.

BODY: CF8M **SEAT:** RTFE

BALL: 316 S.S. **PRESSURE RATING:** 2000 PSI



SERIES M20

**Economical | Two-Piece
Ball Valves | 1/4" to 3"
Full Port | 1000 PSI**

DESIGN ADVANTAGES

- For general industrial and chemical applications.
- Two-piece design.
- Full port orifice minimizes pressure drop and prolongs life.
- Blow-out proof stem.
- Available in stainless steel only.
- Investment cast body construction.

END CONNECTIONS

- Threaded Ends

SPECIFICATIONS

CONSTRUCTION: Two-Piece Body, Full Port

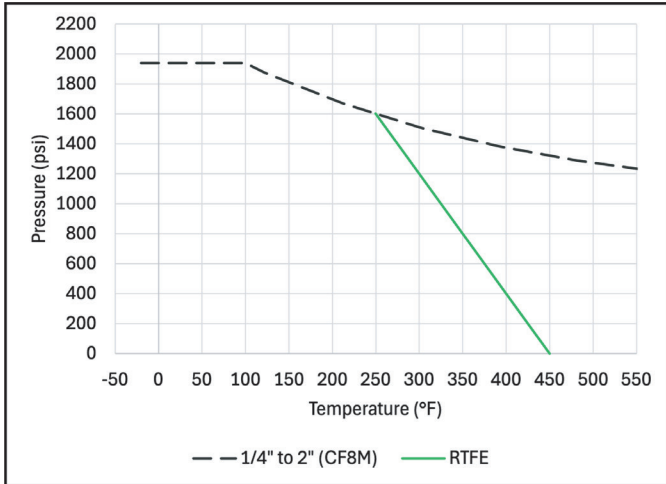
SIZE: 1/4" to 3" **STEM:** 316 S.S.

BODY: CF8M **SEAT:** RTFE

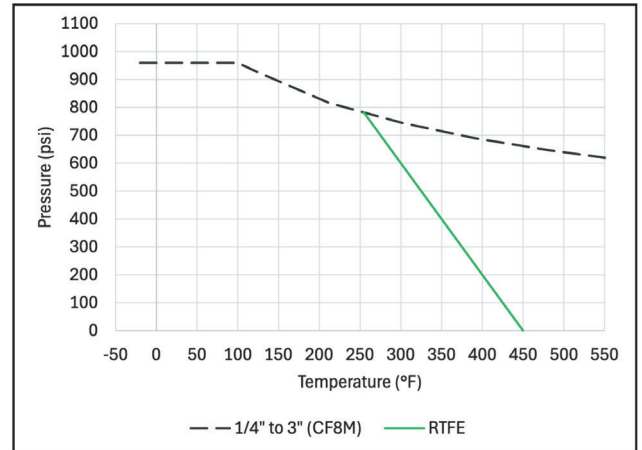
BALL: 316 S.S. **PRESSURE RATING:** 1000 PSI
/CF8M



PRESSURE VS. TEMPERATURE SERIES M10 1/4" TO 2"

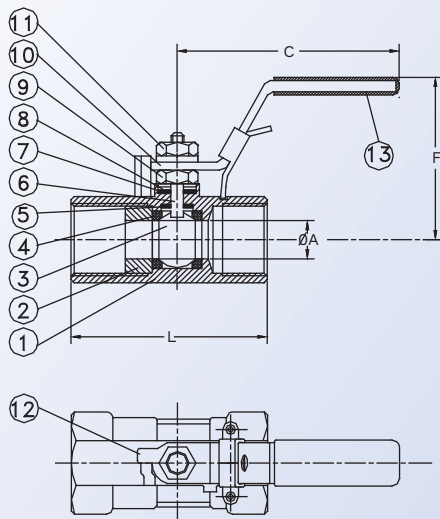


PRESSURE VS. TEMPERATURE SERIES M20 1/4" TO 3"



M10 MATERIALS LIST

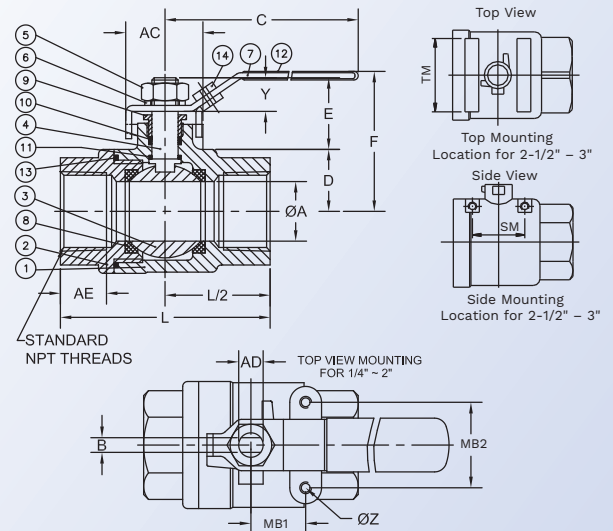
NO.	PART NAME	QTY.	MATERIAL
1	Body	1	ASTM A351 GRADE CF8M
2	Insert	1	ASTM A276 SS316
3	Ball	1	1/4" THRU 3/8" ASTM A276 SS316
3	Ball	1	1/2" THRU ASTM A351 GRADE CF8M
4	Seat	2	RTFE
5	Thrust Washer	1	PTFE
6	Stem	1	ASTM A276 SS316
7	Packing	1	PTFE
8	Gland Washer	1	AISI 304
9	Stem Nut	1	AISI 304
10	Spring Washer	1	AISI 304
11	Handle Nut	1	AISI 304
12	Lever Handle	1	AISI 304
13	Handle Sleeve	1	Vinyl



M20 MATERIALS LIST

NO.	PART NAME	QTY.	MATERIAL
1	Body	1	ASTM A351 GRADE CF8M
2	End Cap	1	ASTM A351 GRADE CF8M
3	Ball	1	1/4" THRU 3/8" ASTM A276 SS316
3	Ball	1	1/2" THRU ASTM A351 GRADE CF8M
4	Stem	1	ASTM A276 SS316
5	Stem Nut	1	AISI 304
6	Lockwasher	1	AISI 304
7	Handle	1	AISI 304
8	Seat	2	RTFE
9	Gland Nut	1	AISI 304
10	V-Ring Packing	*	PTFE
11	Thrush Washer	1	PTFE
12	Handle Sleeve	1	Vinyl
13	Joint Gasket	1	PTFE
14	Lock Saddle	1	AISI 304

*Regular 1 pc stem packing is used for 1/4" and 3/8"; 1 set of V-Ring packing consists of 2 pcs. of V-Ring for 1/2" - 3" models



10080 Commerce Park Dr.
Cincinnati OH, 45246
513-499-3820
www.m-zcontrols.com

Distributed By:

M10/M20 DIMENSIONING

M10 DIMENSIONS (IN)

SIZE	A	C	F	L
1/4"	0.36	4.29	1.85	2.30
3/8"	0.36	4.29	1.85	2.30
1/2"	0.36	3.86	2.28	2.60
3/4"	0.49	3.86	2.40	2.76
1"	0.59	4.12	2.51	3.15
1-1/4"	0.79	4.12	2.77	3.74
1-1/2"	0.98	6.15	2.85	3.98
2"	1.26	6.15	3.08	4.49

M10 HOW TO ORDER

1) Series	2) Body Material	3) Connection	4) Size	5) Seats
M10	S- Stainless Steel	TH- Threaded Ends	0025- 1/4" 0038- 3/8" 0050- 1/2" 0075- 3/4" 0100- 1" 0125- 1-1/4" 0150- 1-1/2" 0200- 2"	R- Series Standard RTFE Seats
6) Ball	7) Stem	8) O-Ring	9) Operator	
X- Series Standard Stainless Steel Ball	X- Series Standard Stainless Steel Stem	X- Series Standard	X- No Operator	

How to Order: {1}{2}-{3}-{4}-{5}{6}{7}{8}-{9}
Example: M10S-TH-0025-XXXX

M 20 DIMENSIONS (IN)

SIZE	A	B	C	D	E	F	L	Y	Z	AC	AD	AE	MB1	MB2	SM	TM	LBS.
1/4"	0.45	0.197	3.94	0.59	0.88	1.97	2.17	0.39	10-24	1.03	0.31	0.59	0.500	1.122	N/A	N/A	0.51
3/8"	0.49	0.197	3.94	0.60	0.88	1.97	2.17	0.39	10-24	1.02	0.31	0.59	0.500	1.122	N/A	N/A	0.51
1/2"	0.59	0.256	5.12	0.71	1.01	2.36	2.56	0.43	10-24	1.18	0.37	0.63	0.500	1.122	N/A	N/A	0.84
3/4"	0.79	0.256	5.12	0.81	1.01	2.52	2.94	0.43	10-24	1.18	0.37	0.67	0.882	1.378	N/A	N/A	1.15
1"	0.98	0.315	6.50	0.99	1.24	2.80	3.46	0.53	1/4"-20	1.38	0.43	0.80	0.882	1.378	N/A	N/A	2.03
1-1/4"	1.26	0.315	6.50	1.20	1.24	3.07	4.02	0.53	1/4"-20	1.38	0.43	0.87	1.000	1.500	N/A	N/A	2.91
1-1/2"	1.50	0.382	7.48	1.58	1.38	3.39	4.33	0.61	1/4"-20	1.64	0.55	0.89	1.000	1.500	N/A	N/A	4.19
2"	1.97	0.382	7.48	1.83	1.20	3.74	4.92	0.61	1/4"-20	1.58	0.55	1.02	1.000	1.500	N/A	N/A	6.88
2-1/2"	2.56	0.472	9.84	2.41	2.13	5.12	6.32	0.96	1/4"-20	2.09	0.75	1.22	N/A	N/A	2.323	2.402	14.33
3"	3.15	0.472	9.84	2.92	2.17	5.83	7.01	0.96	1/4"-20	2.09	0.75	1.34	N/A	N/A	2.756	2.795	20.50

M20 HOW TO ORDER

1) Series	2) Body Material	3) Connection	4) Size	5) Seats	6) Ball	7) Stem	8) O-Ring	9) Operator
M20	S- Stainless Steel	TH-Threaded Ends	0025- 1/4" 0038- 3/8" 0050- 1/2" 0075- 3/4" 0100- 1" 0125- 1-1/4" 0150- 1-1/2" 0200- 2" 0250- 2-1/2" 0300- 3"	R- Series Standard RTFE Seats	X- Series Standard Stainless Steel Ball	X- Series Standard Stainless Steel Stem	X- Series Standard	X- No Operator

How to Order: {1}{2}-{3}-{4}-{5}{6}{7}{8}-{9}
Example: M20S-TH-0025-XXXX



10080 Commerce Park Dr.
Cincinnati OH, 45246
513-499-3820
www.m-zcontrols.com

Distributed By: