



SERIES M2B

Two-Piece Ball Valves 1/4" to 3" Full Port 1000 PSI



DESIGN ADVANTAGES

- For general industrial and chemical applications.
- Full port orifice minimizes pressure drop and prolongs life.
- Blow-out proof stem.
- Pyramidal stem seal.
- Stainless steel body.
- Investment cast body construction.

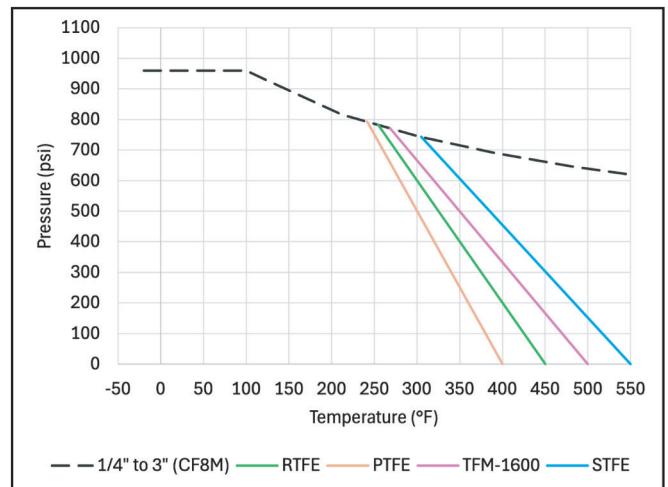
END CONNECTIONS

- Threaded end.

STANDARDS

DESIGN & CONSTRUCTION: ISO 5211 | ASME B16.11 | ASME B16.34
THREAD & CONNECTION INTERFACES: ASME B1.20.1 | ISO 228-1 (BSPP)
ISO 7-1 (BSPT) | DIN 2999
TESTING & QUALIFICATION: API 598
PERFORMANCE & ENV. COMPLIANCE: SIL 3 | TA-Luft | ATEX 2014/34/EU
NACE MR0175 / ISO 15156
CERTIFICATION & DOCUMENTATION: CE 0343 PED 2014/68/EU Cat. II Mod. D1
EN 10204-3.1

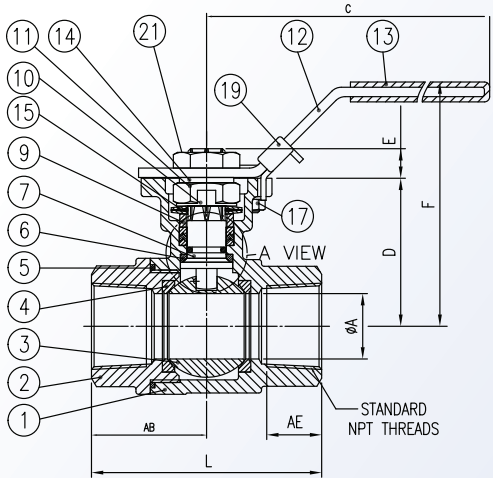
PRESSURE VS. TEMPERATURE SERIES M2B 1/4" TO 3"



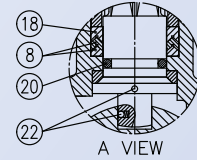
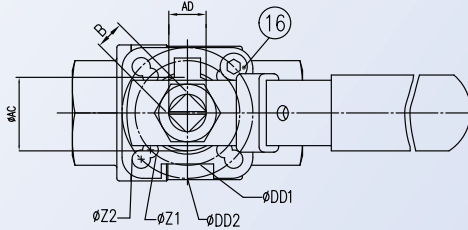
SPECIFICATIONS

CONSTRUCTION: Two-Piece Body, Full Port
SIZE: 1/4" to 3"
BODY: CF8M
BALL: 316 S.S. / CF8M
STEM: 316 S.S.
SEAT: RTFE / Other Seat Options
PRESSURE RATING: 800/1000 PSI

M2B MATERIALS LIST



NO.	PART NAME	MATERIAL	QTY.	NO.	PART NAME	MATERIAL	QTY.
1	Body	ASTM A351 GRADE CF8M	1	12	Handle	AISI 304	1
2	Body End Cap Threaded	ASTM A351 GRADE CF8M	1	13	Handle Sleeve	VINYL	1
3	Ball	ASTM A276 SS 316 / ASTM A351 GRADE CF8M	1	14	Stem Washer	AISI 304	1
4	Seat	RTFE / PTFE / UHMWPE / STEE / TFM™ - 1600	2	15	Stem Packing Belleville Washer	AISI 301	2
5	Body Joint Gasket	PTFE	1	16	Handle Stop Bolt	AISI 304	1
6	Stem Seal	RTFE	1	17	Handle Stop Bolt Nut	AISI 304	1
7	Stem	ASTM A276 SS 316	1	18	Stem Packing Washer	AISI 304	1
8	Stem Packing	PTFE	1	19	Handle Lock	AISI 304	1
9	Stem Packing Gland	AISI 304	1	20	Stem O-Ring	FKM/Viton®	1
10	Stem Lock Saddle	AISI 304	1	21	Handle Nut	AISI 304	1
11	Stem Nut	AISI 304	1	22	Anti-Static Device	ASTM A276 SS 316	2



DIMENSIONS (IN)

SIZE	A	B	C	D	E	F	L	AB	AC	AD	AE	DD1	DD2	Z1	Z2	ISO 5211	LBS
1/4"	0.45	0.354	5.88	1.53	0.26	2.99	2.56	1.28	0.92	0.43	0.55	1.417	1.969	0.26	0.28	F03/F04/F05	1.23
3/8"	0.49	0.354	6.12	1.52	0.26	2.99	2.56	1.28	0.92	0.43	0.53	1.417	1.969	0.26	0.28	F03/F04/F05	1.23
1/2"	0.59	0.354	5.83	1.6	0.26	3.05	2.56	1.28	0.92	0.43	0.53	1.417	1.969	0.26	0.28	F03/F04/F05	1.23
3/4"	0.79	0.354	5.88	1.82	0.28	3.23	2.94	1.47	0.91	0.43	0.61	1.417	1.969	0.26	0.28	F03/F04/F05	1.32
1"	0.98	0.433	6.77	2.24	0.43	3.74	3.46	1.73	1.26	0.56	0.72	1.654	1.969	0.26	0.28	F04/F05	2.4
1-1/4"	1.26	0.433	6.77	2.4	0.43	3.92	4.02	2.01	1.26	0.56	0.81	1.654	1.969	0.24	0.27	F04/F05	3.31
1-1/2"	1.5	0.551	8.51	3.06	0.55	4	4.33	2.17	1.53	0.75	0.76	1.969	2.756	0.29	0.35	F05/F07	5.62
2"	1.97	0.551	8.51	3.35	0.56	5.16	4.92	2.46	1.53	0.75	0.89	1.969	2.756	0.29	0.35	F05/F07	7.93
2-1/2"	2.56	0.669	10.53	4.31	0.67	6.18	6.32	3.16	2.07	0.88	1.09	2.756	4.016	0.39	0.48	F07/F10	16.38
3"	3.15	0.669	11.88	4.63	0.71	6.8	7.01	3.51	2.08	0.88	1.19	2.756	4.016	0.39	0.48	F07/F10	22.81

HOW TO ORDER

1) Series	2) Body Material	3) Connection	4) Size	5) Seats
M2B	S - Stainless Steel	TH - Threaded	0025 - 1/4" 0038 - 3/8" 0050 - 1/2" 0075 - 3/4" 0100 - 1" 0125 - 1-1/4" 0150 - 1-1/2" 0200 - 2" 0250 - 2-1/2" 0300 - 3"	R - RTFE
6) Ball	7) Stem	8) O-Ring	9) Operator	
X - Stainless Steel	X - Stainless Steel	V - FKM/VITON	X - Manual Handle G - Gear Operator L - Stem Extension S - Spring Return Handle B - Bare Stem	

How to Order: {1}{2}-{3}-{4}-{5}{6}{7}{8}-{9}
Example: M2BS-TH-0025-XXXX

Breakaway Torque (RTFE) & Cv Value

SIZE	In-Lbs	Valve Cv
1/4"	50	7
3/8"	50	8
1/2"	50	15
3/4"	60	40
1"	100	70
1-1/4"	120	110
1-1/2"	180	250
2"	225	430
2-1/2"	487	700
3"	900	1100



10080 Commerce Park Dr.
Cincinnati OH, 45246
513-499-3820
www.m-zcontrols.com

Distributed By:

SERIES M2B AUTOMATED ASSEMBLIES

DOUBLE ACTING

60 PSI | STAINLESS STEEL

SIZE	Part Number
1"	M2BS-TH-0100-RXXV/ZPD2DABA-XX
1-1/4"	M2BS-TH-0125-RXXV/ZPD2DABA-XX
1-1/2"	M2BS-TH-0150-RXXV/ZPD3DABA-XX
2"	M2BS-TH-0200-RXXV/ZPD4DABA-XX
2-1/2"	M2BS-TH-0250-RXXV/ZPD6DABA-XX
3"	M2BS-TH-0300-RXXV/ZPD7DABX-XX
1/4"	M2BS-TH-0025-RXXV/ZPD1DABA-XX
3/8"	M2BS-TH-0038-RXXV/ZPD1DABA-XX
1/2"	M2BS-TH-0050-RXXV/ZPD1DABA-XX
3/4"	M2BS-TH-0075-RXXV/ZPD2DABA-XX

80 PSI | STAINLESS STEEL

SIZE	Part Number
1/4"	M2BS-TH-0025-RXXV/ZPD1DABA-XX
3/8"	M2BS-TH-0038-RXXV/ZPD1DABA-XX
1/2"	M2BS-TH-0050-RXXV/ZPD1DABA-XX
3/4"	M2BS-TH-0075-RXXV/ZPD1DABA-XX
1"	M2BS-TH-0100-RXXV/ZPD2DABA-XX
1-1/4"	M2BS-TH-0125-RXXV/ZPD2DABA-XX
1-1/2"	M2BS-TH-0150-RXXV/ZPD3DABA-XX
2"	M2BS-TH-0200-RXXV/ZPD3DABA-XX
2-1/2"	M2BS-TH-0250-RXXV/ZPD5DABA-XX
3"	M2BS-TH-0300-RXXV/ZPD7DABX-XX

SPRING RETURN

60 PSI | STAINLESS STEEL

SIZE	Part Number
1/4"	M2BS-TH-0025-RXXV/ZPD2S4BA-XX
3/8"	M2BS-TH-0038-RXXV/ZPD2S4BA-XX
1/2"	M2BS-TH-0050-RXXV/ZPD2S4BA-XX
3/4"	M2BS-TH-0075-RXXV/ZPD3S4BA-XX
1"	M2BS-TH-0100-RXXV/ZPD4S4BA-XX
1-1/4"	M2BS-TH-0125-RXXV/ZPD5S4BA-XX
1-1/2"	M2BS-TH-0150-RXXV/ZPD6S4BA-XX
2"	M2BS-TH-0200-RXXV/ZPD6S4BA-XX
2-1/2"	M2BS-TH-0250-RXXV/ZPD8S4BX-XX
3"	M2BS-TH-0300-RXXV/ZPDAS4BX-XX

80 PSI | STAINLESS STEEL

SIZE	Part Number
1/4"	M2BS-TH-0025-RXXV/ZPD2S5BA-XX
3/8"	M2BS-TH-0038-RXXV/ZPD2S5BA-XX
1/2"	M2BS-TH-0050-RXXV/ZPD2S5BA-XX
3/4"	M2BS-TH-0075-RXXV/ZPD2S5BA-XX
1"	M2BS-TH-0100-RXXV/ZPD4S5BA-XX
1-1/4"	M2BS-TH-0125-RXXV/ZPD4S5BA-XX
1-1/2"	M2BS-TH-0150-RXXV/ZPD5S5BA-XX
2"	M2BS-TH-0200-RXXV/ZPD6S5BA-XX
2-1/2"	M2BS-TH-0250-RXXV/ZPD8S5BX-XX
3"	M2BS-TH-0300-RXXV/ZPD9S5BX-XX

ELECTRIC

ON/OFF | STAINLESS STEEL

SIZE	Part Number
1/4"	M2BS-TH-0025-RXXV/ZE2XXX-XX
3/8"	M2BS-TH-0038-RXXV/ZE2XXX-XX
1/2"	M2BS-TH-0050-RXXV/ZE2XXX-XX
3/4"	M2BS-TH-0075-RXXV/ZE2XXX-XX
1"	M2BS-TH-0100-RXXV/ZE2XXX-XX
1-1/4"	M2BS-TH-0125-RXXV/ZE2XXX-XX
1-1/2"	M2BS-TH-0150-RXXV/ZE2XXX-XX
2"	M2BS-TH-0200-RXXV/ZE2XXX-XX
2-1/2"	M2BS-TH-0250-RXXV/ZE3XXX-XX
3"	M2BS-TH-0300-RXXV/ZE4XXX-XX

MODULATING | STAINLESS STEEL

SIZE	Part Number
1/4"	M2BS-TH-0025-RXXV/ZE2XXX-MX
3/8"	M2BS-TH-0038-RXXV/ZE2XXX-MX
1/2"	M2BS-TH-0050-RXXV/ZE2XXX-MX
3/4"	M2BS-TH-0075-RXXV/ZE2XXX-MX
1"	M2BS-TH-0100-RXXV/ZE2XXX-MX
1-1/4"	M2BS-TH-0125-RXXV/ZE2XXX-MX
1-1/2"	M2BS-TH-0150-RXXV/ZE2XXX-MX
2"	M2BS-TH-0200-RXXV/ZE2XXX-MX
2-1/2"	M2BS-TH-0250-RXXV/ZE3XXX-MX
3"	M2BS-TH-0300-RXXV/ZE4XXX-MX



10080 Commerce Park Dr.
Cincinnati OH, 45246
513-499-3820
www.m-zcontrols.com

M2B/Q1-26

Distributed By: