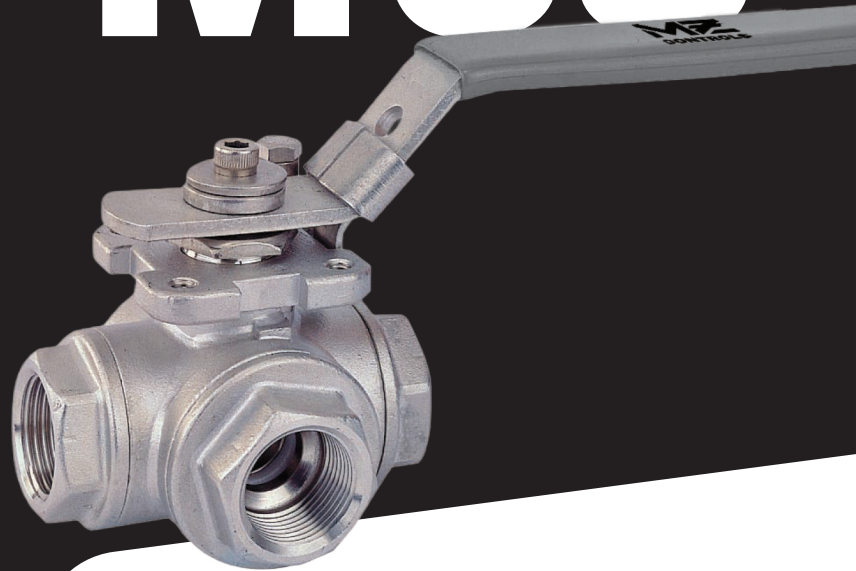


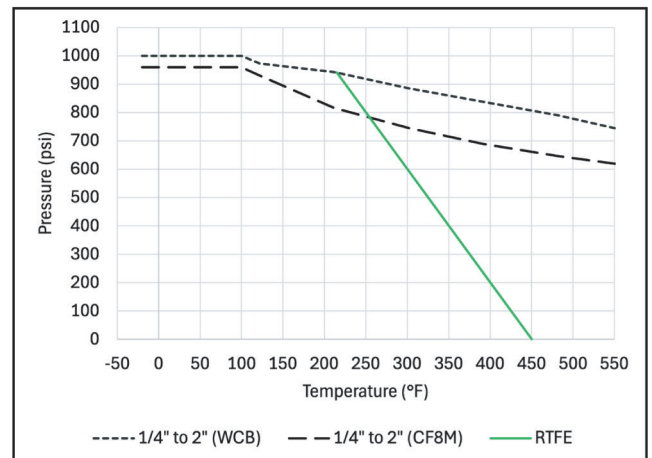


SERIES M38

General Purpose Three-Way Ball Valves 1/4" to 2" Regular Port 1000 PSIG



PRESSURE VS. TEMPERATURE SERIES M38 1/4" TO 2"



DESIGN ADVANTAGES

- For general industrial and chemical applications.
- Available in L or T port configurations.
- Iso 5211 actuator mounting pad.
- Blow-out proof stem.
- Stainless steel body.
- Lockable manual handle.

END CONNECTIONS

- Threaded Ends

STANDARDS

DESIGN & CONSTRUCTION: EN 1983 | EN 12516-3 | ISO 5211

IDENTIFICATION & MARKING: EN 19

CERTIFICATION & DOCUMENTATION: EN 10204-3.1

SPECIFICATIONS

CONSTRUCTION: 3-Way Ball Valve

SIZE: 1/4" to 2"

BODY: CF8M

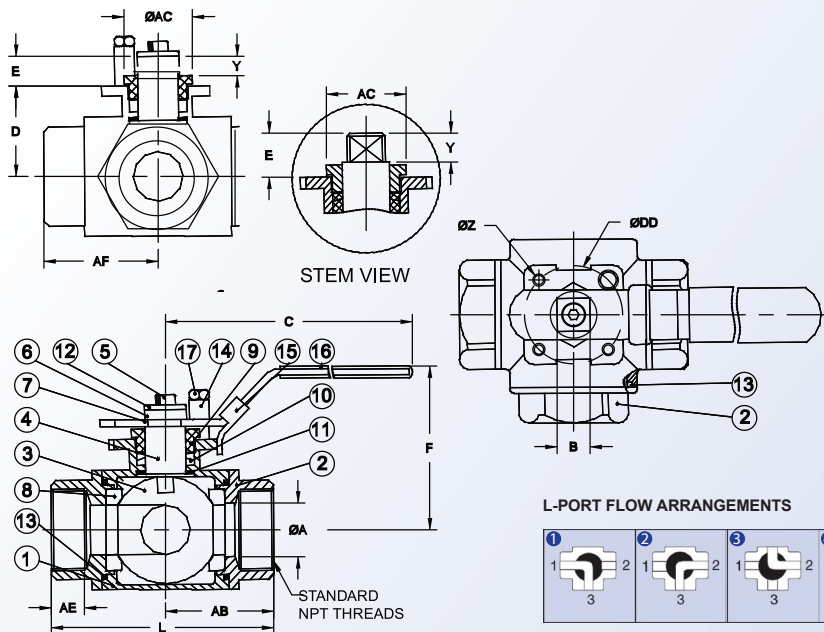
BALL: 316 S.S.

STEM: 316 S.S.

SEAT: RTFE

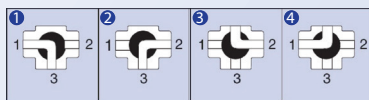
PRESSURE RATING: 1000 PSI

M38 MATERIALS LIST

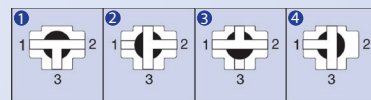


NO.	PART NAME	MATERIALS	QTY.
1	Body	ASTM A351 GRADE CF8M	1
2	Body End Cap Threaded	ASTM A351 GRADE CF8M	3
3	Ball	ASTM A276 SS 316	1
4	Stem	ASTM A276 SS 316	1
5	Stem Nut	AISI 304	2
6	Stem Washer	AISI 304 / AISI 304	1
7	Handle	AISI 304	1
8	Seat	PTFE / RTFE	4
9	Stem Packing Gland Nut	AISI 304	1
10	Stem Packing	RTFE	1
11	Stem Seal	PTFE	1
6	Stem Washer	AISI 304 / AISI 304	1
13	Body Joint Gasket	PTFE	3
14	Handle Stop Bolt Spacer	AISI 304	1
15	Handle Lock	AISI 304	1
16	Handle Sleeve	VINYL	1
17	Handle Stop Bolt	AISI 304	1

L-PORT FLOW ARRANGEMENTS



T-PORT FLOW ARRANGEMENTS



DIMENSIONS (IN)

SIZE	A	B	C	D	E	F	L	Y	Z	AB	AC	AE	AF	DD	ISO 5211	LBS
1/4"	0.43	0.354	5.25	1.06	0.42	2.39	2.73	0.20	M5	1.37	0.87	0.61	1.37	1.654	F04	1.32
3/8"	0.43	0.354	5.25	1.06	0.42	2.39	2.73	0.20	M5	1.37	0.87	0.61	1.37	1.654	F04	1.32
1/2"	0.49	0.354	5.25	1.20	0.42	2.52	2.98	0.19	M5	1.49	0.87	0.68	1.49	1.654	F04	1.54
3/4"	0.63	0.433	7.03	1.45	0.55	3.24	3.41	0.28	M6	1.70	1.22	0.76	1.70	1.969	F05	2.42
1"	0.79	0.433	7.03	1.60	0.79	3.39	4.03	0.45	M6	2.02	1.22	0.85	2.02	1.969	F05	3.86
1-1/4"	0.98	0.433	8.26	1.85	0.94	3.60	4.65	0.63	M6	2.33	1.22	0.93	2.33	1.969	F05	5.33
1-1/2"	1.26	0.433	8.19	2.14	1.02	4.04	4.95	0.61	M8	2.48	1.22	0.92	2.48	2.756	F07	7.49
2"	1.50	0.551	9.05	2.48	1.00	4.36	5.87	0.61	M8	2.93	1.34	1.00	2.93	2.756	F07	12.00

HOW TO ORDER

1) Series	2) Body Material	3) Connection	4) Size	5) Seats
M38	S- Stainless Steel	TH-Threaded Ends	0025 - 1/4" 0038 - 3/8" 0050 - 1/2" 0075 - 3/4" 0100 - 1" 0125 - 1-1/4" 0150 - 1-1/2" 0200 - 2" 0250 - 2-1/2" 0300 - 3"	R - RTFE
6) Ball	7) Stem	8) O-Ring	9) Operator	
L - SST L-Port T - SST T-Port Ball	X - Stainless Steel	X - Not Required	X - Manual Handle L - Stem Extension S - Spring Return Handle	

How to Order: {1}{2}-{3}-{4}-{5}{6}{7}{8}-{9}
Example: M38S-TH-0025-RLXX-X

Breakaway Torque (RTFE) & Cv Value

SIZE	In-Lbs	Cv (Port)	
		L	T
1/4"	49	3	3.5
3/8"	49	3.5	4
1/2"	55	4.2	5
3/4"	73	7	8
1"	73	14	20
1-1/4"	122	19	30
1-1/2"	170	35	40
2"	496	45	60



10080 Commerce Park Dr.
Cincinnati OH, 45246
513-499-3820
www.m-zcontrols.com

Distributed By:

SERIES M38 AUTOMATED ASSEMBLIES

DOUBLE ACTING

60 PSI | STAINLESS STEEL

SIZE	Part Number
1/4"	M38S-TH-0025-R*XX/ZPD1DABA-XX
3/8"	M38S-TH-0038-R*XX/ZPD1DABA-XX
1/2"	M38S-TH-0050-R*XX/ZPD1DABA-XX
3/4"	M38S-TH-0075-R*XX/ZPD2DABA-XX
1"	M38S-TH-0100-R*XX/ZPD2DABA-XX
1-1/4"	M38S-TH-0125-R*XX/ZPD2DABA-XX
1-1/2"	M38S-TH-0150-R*XX/ZPD3DABA-XX
2"	M38S-TH-0200-R*XX/ZPD6DABA-XX

80 PSI | STAINLESS STEEL

SIZE	Part Number
1/4"	M38S-TH-0025-R*XX/ZPD1DABA-XX
3/8"	M38S-TH-0038-R*XX/ZPD1DABA-XX
1/2"	M38S-TH-0050-R*XX/ZPD1DABA-XX
3/4"	M38S-TH-0075-R*XX/ZPD2DABA-XX
1"	M38S-TH-0100-R*XX/ZPD2DABA-XX
1-1/4"	M38S-TH-0125-R*XX/ZPD2DABA-XX
1-1/2"	M38S-TH-0150-R*XX/ZPD3DABA-XX
2"	M38S-TH-0200-R*XX/ZPD5DABA-XX

SPRING RETURN

60 PSI | STAINLESS STEEL

SIZE	Part Number
1/4"	M38S-TH-0025-R*XX/ZPD2S4BA-XX
3/8"	M38S-TH-0038-R*XX/ZPD2S4BA-XX
1/2"	M38S-TH-0050-R*XX/ZPD3S4BA-XX
3/4"	M38S-TH-0075-R*XX/ZPD3S4BA-XX
1"	M38S-TH-0100-R*XX/ZPD3S4BA-XX
1-1/4"	M38S-TH-0125-R*XX/ZPD5S4BA-XX
1-1/2"	M38S-TH-0150-R*XX/ZPD6S4BA-XX
2"	M38S-TH-0200-R*XX/ZPD8S4BX-XX

80 PSI | STAINLESS STEEL

SIZE	Part Number
1/4"	M38S-TH-0025-R*XX/ZPD2S5BA-XX
3/8"	M38S-TH-0038-R*XX/ZPD2S5BA-XX
1/2"	M38S-TH-0050-R*XX/ZPD2S5BA-XX
3/4"	M38S-TH-0075-R*XX/ZPD3S5BA-XX
1"	M38S-TH-0100-R*XX/ZPD3S5BA-XX
1-1/4"	M38S-TH-0125-R*XX/ZPD4S5BA-XX
1-1/2"	M38S-TH-0150-R*XX/ZPD5S5BA-XX
2"	M38S-TH-0200-R*XX/ZPD8S5BX-XX

ELECTRIC

ON/OFF | STAINLESS STEEL

SIZE	Part Number
1/4"	M38S-TH-0025-R*XX/ZE2XXX-XX
3/8"	M38S-TH-0038-R*XX/ZE2XXX-XX
1/2"	M38S-TH-0050-R*XX/ZE2XXX-XX
3/4"	M38S-TH-0075-R*XX/ZE2XXX-XX
1"	M38S-TH-0100-R*XX/ZE2XXX-XX
1-1/4"	M38S-TH-0125-R*XX/ZE2XXX-XX
1-1/2"	M38S-TH-0150-R*XX/ZE2XXX-XX
2"	M38S-TH-0200-R*XX/ZE2XXX-XX

MODULATING | STAINLESS STEEL

SIZE	Part Number
1/4"	M38S-TH-0025-R*XX/ZE2XXX-MX
3/8"	M38S-TH-0038-R*XX/ZE2XXX-MX
1/2"	M38S-TH-0050-R*XX/ZE2XXX-MX
3/4"	M38S-TH-0075-R*XX/ZE2XXX-MX
1"	M38S-TH-0100-R*XX/ZE2XXX-MX
1-1/4"	M38S-TH-0125-R*XX/ZE2XXX-MX
1-1/2"	M38S-TH-0150-R*XX/ZE2XXX-MX
2"	M38S-TH-0200-R*XX/ZE2XXX-MX

* T - T-PORT BALL, L - L-PORT BALL



10080 Commerce Park Dr.
Cincinnati OH, 45246
513-499-3820
www.m-zcontrols.com

M38/Q1-26

Distributed By: