

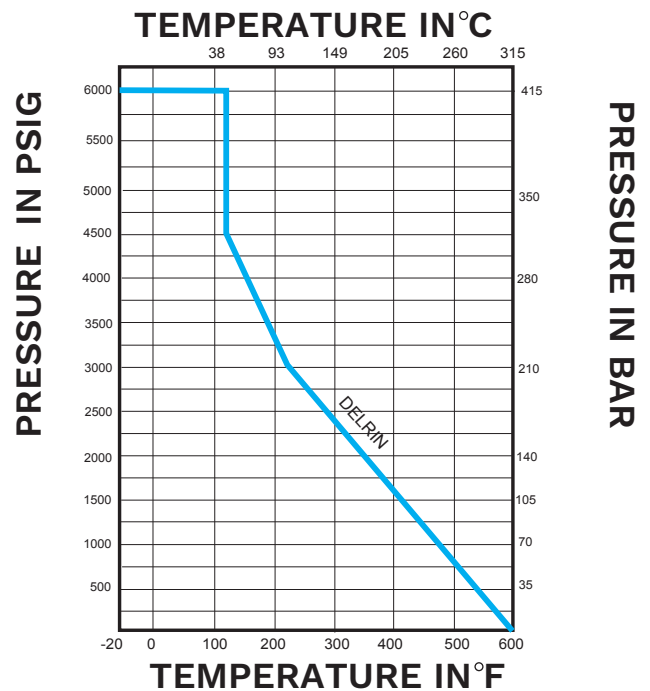


SERIES MF60

**High Pressure
Two-Piece
Ball Valves
1/4" to 2"
Full/Regular Port
6000 PSI
Seal Welded**



M60 PRESSURE VS. TEMPERATURE CHART



DESIGN ADVANTAGES

- For general industrial and chemical applications.
- Two-piece design.
- Full port orifice minimizes pressure drop and prolongs life.
- Blow-out proof stem.
- Available in stainless or carbon steel.
- Investment cast body construction.

END CONNECTIONS

- Threaded Ends

STANDARDS

DESIGN & CONSTRUCTION: ASME B16.34

THREAD & CONNECTION INTERFACES: ASME B1.20.1

TESTING & QUALIFICATION: API 607

PERFORMANCE & ENV. COMPLIANCE: NACE MR0175 / ISO 15156

CERTIFICATION & DOCUMENTATION: EN 10204-3.1

SPECIFICATIONS

CONSTRUCTION: Two-Piece Body, Full/Regular Port

SIZE: 1/4" to 2"

BODY: CF8M / WCB

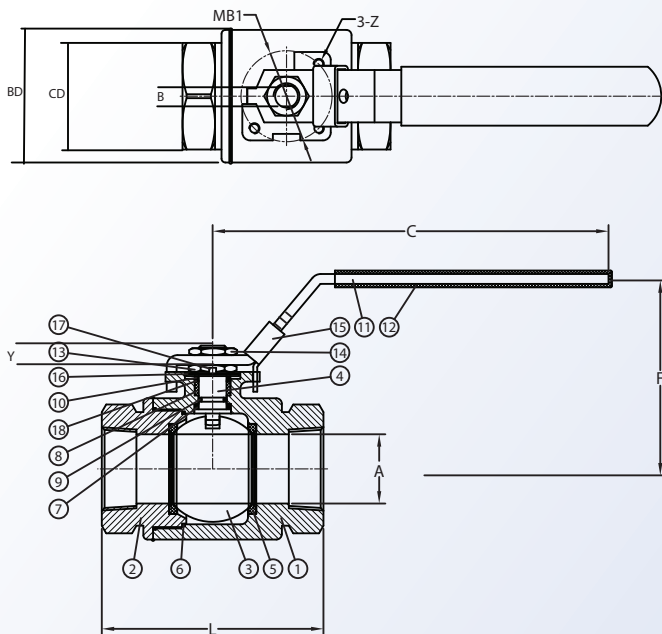
BALL: 17-4 PH

STEM: 17-4 PH

SEAT: DELRIN

PRESSURE RATING: 6000 PSI

MATERIALS LIST



NO.	PART NAME	MATERIAL	QTY.
1	Body	ASTM A351 GRADE CF8M / ASTM A216 GRADE WCB	1
2	Body End Cap Threaded	ASTM A351 GRADE CF8M / ASTM A216 GRADE WCB	1
3	Ball	ASTM A182 F316	1
4	Stem	ASTM A276 SS 316	1
5	Seat	PEEK	2
6	Body Joint Gasket	GRAPHITE	1
7	Stem Washer	GRAPHITE / PEEK	1
7	Stem Washer	GRAPHITE / PEEK	1
9	Stem Packing Gland Nut	AISI 304	1
10	Handle	AISI 304	1
11	Handle Lock	AISI 304	1
12	Handle Sleeve	VINYL	1
13	Handle Nut	AISI 304	1
14	Seat O-Ring	FKM/Viton®	1
15	Anti-Static Device	ASTM A276 SS 316	1
16	Stem O-Ring	FKM/Viton®	1

DIMENSIONS (IN)

SIZE	PORT	A	B	C	F	E	Y	L	AD	BD	CD	DD1	Z	ISO 5211	LBS
1/4"	Full	0.45	0.310	5.22	2.30	0.61	0.39	3.23		1.73	1.26	1.420	M5	F03	1.9
3/8"	Regular	0.49	0.310	5.22	2.30	0.61	0.39	3.23		1.73	1.26	1.420	M5	F03	1.8
1/2"	Full	0.49	0.310	5.22	2.50	0.61	0.39	4.00		1.73	1.42	1.420	M5	F03	2.2
3/4"	Full	0.62	0.350	5.71	2.87	0.70	0.53	4.25		2.44	1.77	1.650	M5	F04	4.2
1"	Full	0.87	0.350	8.27	3.15	1.04	0.71	4.80		2.68	2.13	1.970	M6	F04	6.1
1-1/2"	Full	1.50	0.470	13.78	4.76	1.18	0.98	5.28		3.86	3.01	2.760	M8	F07	13.6
2"	Regular	1.50	0.470	13.78	4.76	1.28	0.98	6.22		3.86	3.6	2.760	M8	F07	16.7

HOW TO ORDER

1) Series	2) Body Material	3) Connection	4) Size	5) Seats
MF60	S - Stainless Steel C - Carbon Steel	TH - Threaded	0025 - 1/4" 0038 - 3/8" 0050 - 1/2" 0075 - 3/4" 0100 - 1" 0150 - 1-1/2" 0200 - 2"	D - DELRIN
6) Ball	7) Stem	8) O-Ring	9) Operator	
X - Stainless Steel	B - 17-4 PH®	V - FKM/Viton®	X - Manual Handle B - Bare Stem	

How to Order: {1}{2}-{3}-{4}-{5}{6}{7}{8}-{9}
Example: MF60S-TH-0025-XXXX

Torque Table (In Lbs.) & Value CV

SIZE	1000 PSI	2000 PSI	3000 PSI	VALUE CV
1/4"	110	125	175	7
3/8"	110	125	175	5
1/2"	110	125	175	15
3/4"	260	265	300	30
1"	325	375	450	50
1 1/2"	650	655	900	120
2"	700	725	1200	120

SIZE	4000 PSI	5000 PSI	6000 PSI
1/4"	225	310	350
3/8"	225	310	350
1/2"	225	310	350
3/4"	375	400	500
1"	625	675	750
1 1/2"	1000	1200	1500
2"	1200	1600	1900



10080 Commerce Park Dr.
Cincinnati OH, 45246
513-499-3820
www.m-zcontrols.com

MF60/Q1-26

Distributed By:

SERIES MF60 AUTOMATED ASSEMBLIES

DOUBLE ACTING

60 PSI | STAINLESS STEEL

SIZE	Part Number
1/4"	MF60S-TH-0025-DXBV/ZPD5DABA-XX
3/8"	MF60S-TH-0038-DXBV/ZPD5DABA-XX
1/2"	MF60S-TH-0050-DXBV/ZPD5DABA-XX
3/4"	MF60S-TH-0075-DXBV/ZPD6DABA-XX
1"	MF60S-TH-0100-DXBV/ZPD7DABX-XX
1-1/2"	MF60S-TH-0150-DXBV/ZPD8DABX-XX
2"	MF60S-TH-0200-DXBV/ZPD9DABX-XX

80 PSI | STAINLESS STEEL

SIZE	Part Number
1/4"	MF60S-TH-0025-DXBV/ZPD4DABA-XX
3/8"	MF60S-TH-0038-DXBV/ZPD4DABA-XX
1/2"	MF60S-TH-0050-DXBV/ZPD4DABA-XX
3/4"	MF60S-TH-0075-DXBV/ZPD5DABA-XX
1"	MF60S-TH-0100-DXBV/ZPD6DABA-XX
1-1/2"	MF60S-TH-0150-DXBV/ZPD8DABX-XX
2"	MF60S-TH-0200-DXBV/ZPD8DABX-XX

SPRING RETURN

60 PSI | STAINLESS STEEL

SIZE	Part Number
1/4"	MF60S-TH-0025-DXBV/ZPD7S4BX-XX
3/8"	MF60S-TH-0038-DXBV/ZPD7S4BX-XX
1/2"	MF60S-TH-0050-DXBV/ZPD7S4BX-XX
3/4"	MF60S-TH-0075-DXBV/ZPD8S4BX-XX
1"	MF60S-TH-0100-DXBV/ZPDAS4BX-XX
1-1/2"	MF60S-TH-0150-DXBV/ZPDBS4BX-XX
2"	MF60S-TH-0200-DXBV/ZPDCS4BX-XX

80 PSI | STAINLESS STEEL

SIZE	Part Number
1/4"	MF60S-TH-0025-DXBV/ZPD7S5BX-XX
3/8"	MF60S-TH-0038-DXBV/ZPD7S5BX-XX
1/2"	MF60S-TH-0050-DXBV/ZPD7S5BX-XX
3/4"	MF60S-TH-0075-DXBV/ZPD8S5BX-XX
1"	MF60S-TH-0100-DXBV/ZPD9S5BX-XX
1-1/2"	MF60S-TH-0150-DXBV/ZPDAS5BX-XX
2"	MF60S-TH-0200-DXBV/ZPDBS5BX-XX

ELECTRIC

ON/OFF | STAINLESS STEEL

SIZE	Part Number
1/4"	MF60S-TH-0025-DXBV/ZE2XXX-XX
3/8"	MF60S-TH-0038-DXBV/ZE2XXX-XX
1/2"	MF60S-TH-0050-DXBV/ZE2XXX-XX
3/4"	MF60S-TH-0075-DXBV/ZE2XXX-XX
1"	MF60S-TH-0100-DXBV/ZE4XXX-XX
1-1/2"	MF60S-TH-0150-DXBV/ZE5XXX-XX
2"	MF60S-TH-0200-DXBV/ZE6XXX-XX

MODULATING | STAINLESS STEEL

SIZE	Part Number
1/4"	MF60S-TH-0025-DXBV/ZE2XXX-MX
3/8"	MF60S-TH-0038-DXBV/ZE2XXX-MX
1/2"	MF60S-TH-0050-DXBV/ZE2XXX-MX
3/4"	MF60S-TH-0075-DXBV/ZE2XXX-MX
1"	MF60S-TH-0100-DXBV/ZE4XXX-MX
1-1/2"	MF60S-TH-0150-DXBV/ZE5XXX-MX
2"	MF60S-TH-0200-DXBV/ZE6XXX-MX



10080 Commerce Park Dr.
Cincinnati OH, 45246
513-499-3820
www.m-zcontrols.com

MF60/Q1-26

Distributed By: