



RESILIENT SEATED MR BUTTERFLY VALVES



MR HIGH PERFORMANCE

MR SPECIFICATIONS & FEATURES

Available in lug or wafer style body.
ANSI 125/150 body rating.

- ASTM A536 Ductile Iron or ASTM A351 CF8M.
- Mounting is ISO5211/square shaft.
- Bubble tight/B1-directional shutoff.
- Phenolic backed cartridge seat/replacable.



DESIGN STANDARDS

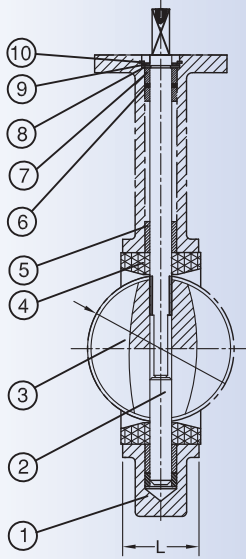
API598 pressure tested
ISO5211 mounting pad
MTRS available
API 609, ASME B16.42



10080 Commerce Park Dr.
Cincinnati OH, 45246
513-499-3820
www.m-zcontrols.com

Distributed By:

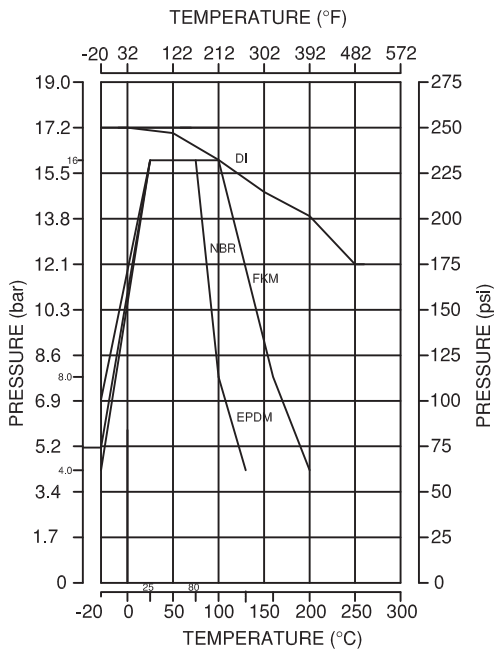
MR INFORMATION & OPTIONS



#	PART	MATERIALS	QTY.
1	BODY 150# LUG	ASTM A351 Grade CF8M, ASTM A536 65-45-12	1
1	BODY 150# GUIDE HOLE WAFER	ASTM A351 Grade CF8M, ASTM A536 65-45-12	1
2	LOWER STEM BUSHING	FRP	1
3	SEAT	EPDM, NBR, FKM	1
4	LOWER STEM	SS431	1
5	DISC	ASTM A351 Grade CF8M, Ductile Iron, Nylon Coated Ductile Iron, Aluminum Bronze, Nickel Plated Ductile Iron	1
6	UPPER STEM	SS431	1
7	UPPER STEM BUSHING	FRP	1
8	UPPER STEM O-RING	NBR	1
9	UPPER STEM HALF RING	AISI 304	2
10	UPPER STEM WASHER	AISI 304	1
11	UPPER STEM SNAP RING	SK7	1

MR	TORQUE (in-lbs)		
	EPDM	NBR	FKM
SIZE	232 PSI		
1-1/2"	106	142	142
2"	106	142	142
2-1/2"	177	230	230
3"	266	345	345
4"	443	575	575
5"	682	885	885
6"	1071	1390	1390
8"	2142	2788	2788
10"	3115	4054	4054
12"	4337	5638	5638

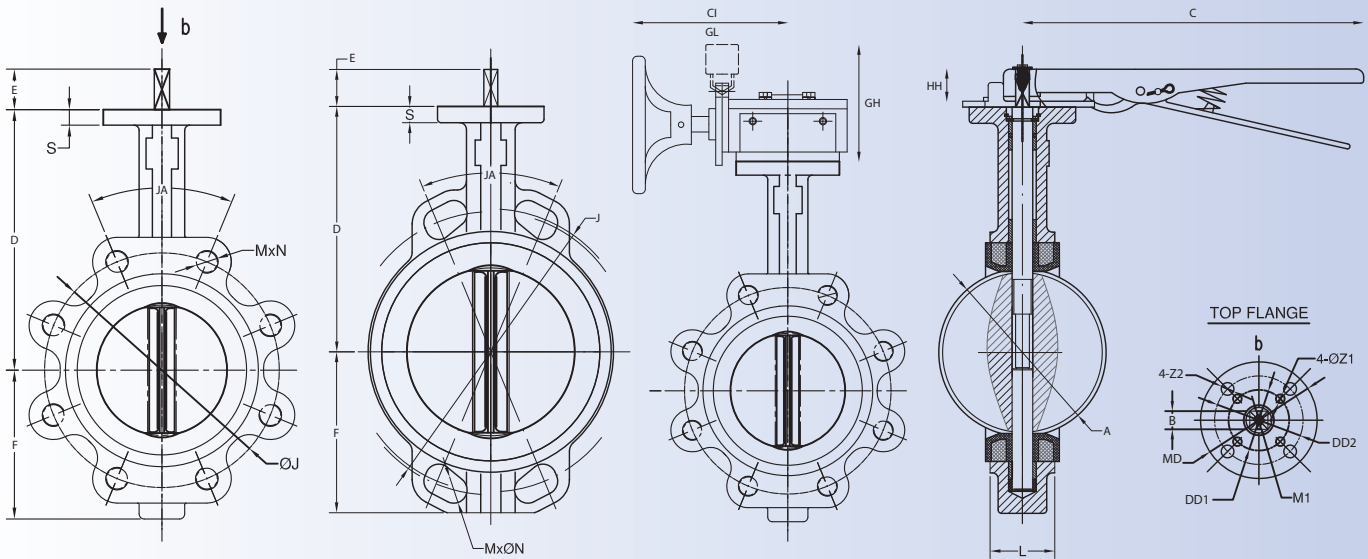
PRESSURE VS. TEMPERATURE CHART



Cincinnati OH, 45246
513-499-3820
www.m-zcontrols.com

Distributed By:

MR DIMENSIONS



DIMENSIONS (IN)

SIZE	A	B	C	D	E	F	J	JA	L	M	M1	MD	N	S	DD1	DD2	Z1	Z2	ISO 5211	LBS
1-1/2"	1.69	0.354	10.24	4.72	0.63	2.56	3.874	3.54	1.3	0.16	M5	3.54	0.63	0.55	2.756	-	0.39	-	F07	-
2"	2.08	0.354	10.24	5.51	0.63	3.15	4.752	3.54	1.69	0.16	M5	3.54	0.79	0.55	2.756	-	0.39	-	F07	-
2-1/2"	2.56	0.354	10.24	5.91	0.63	3.5	5.5	3.54	1.81	0.16	M5	3.54	0.79	0.55	2.756	-	0.39	-	F07	-
3"	3.12	0.354	10.24	6.22	0.63	3.74	6	3.54	1.81	0.16	M5	3.54	0.79	0.55	2.756	-	0.39	-	F07	-
4"	4.11	0.433	10.24	6.93	0.63	4.49	7.5	1.77	2.05	0.16	M5	3.54	0.79	0.55	2.756	-	0.39	-	F07	-
5"	4.87	0.551	10.24	7.48	0.71	5	8.5	1.77	2.2	0.16	M5	3.54	0.91	0.55	2.756	-	0.39	-	F07	-
6"	6.15	0.551	14.17	8.35	0.71	5.47	9.5	1.77	2.2	0.16	M5	4.92	0.91	0.55	2.756	4.016	0.39	0.47	F07/F10	-
8"	7.99	0.669	22.05	9.29	0.71	6.85	11.752	1.77	2.36	0.16	M8	6.89	0.91	0.59	4.016	5.512	0.47	0.71	F10/F14	-
10"	9.88	0.866	22.05	10.43	0.94	7.99	14.252	1.18	2.68	0.16	M8	6.89	1.02	0.67	4.016	5.512	0.47	0.71	F10/F14	-
12"	11.89	0.866	22.05	12.01	0.94	9.53	17	1.18	3.07	0.16	M8	6.89	1.02	0.67	4.016	5.512	0.47	0.71	F10/F14	-



Cincinnati OH, 45246
513-499-3820
www.m-zcontrols.com

Distributed By:

MR OPTIONS

HOW TO ORDER

1) Series	2) Body Material	3) Connection	4) Size	5) Seat Material
MR	S - Stainless Steel B - Ductile Iron	L1 - 150# Lug W1 - 150# Waffer with Guide Holes	0150 - 1-1/2" 0200 - 2" 0250 - 2-1/2" 0300 - 3" 0400 - 4" 0500 - 5" 0600 - 6" 0800 - 8" 1000 - 10" 1200 - 12"	E - EPDM B - NBR/BUNA V - FKM/VITON
6) Disc Material	7) Stem Material	8) Stem Bushing Material	9) Operator	
N - Nylon Coated Ductile Iron S - Stainless Steel B - Aluminum Bronze D - Nickle Plated Ductile Iron	X - ASTM A276 431	F - FRP B - BRASS	X - None G - Gear Operator P - 10-Position Handle	

How to Order: {1}{2}-{3}-{4}-{5}{6}{7}{8}-{9}
Example: MRS-L1-0150-ESXF-P



Cincinnati OH, 45246
 513-499-3820
www.m-zcontrols.com

Distributed By: