

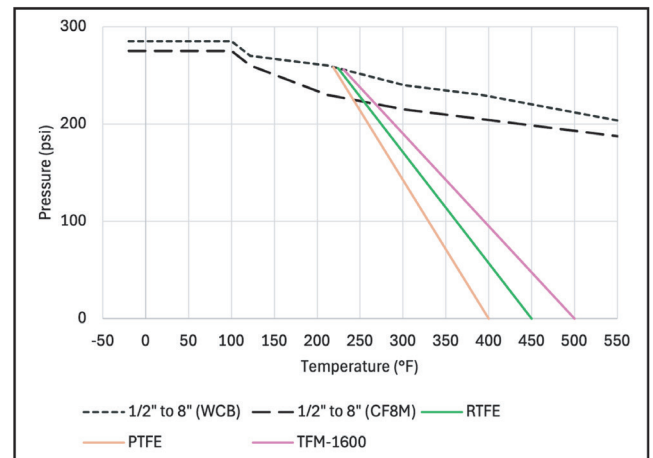


SERIES MF9R

**Firesafe, Unibody
Direct Mount
Flanged Ball Valve
1/2" to 8"
Regular Port
ASME Class 150**



PRESSURE VS. TEMPERATURE SERIES MF9R 1/2" TO 8"



DESIGN ADVANTAGES

- Regular port design.
- Blow-out proof stem with anti-static devices.
- Superior live loaded packing system.
- Lockable manual handle.
- Unibody design.

END CONNECTIONS

- 150# Flanged

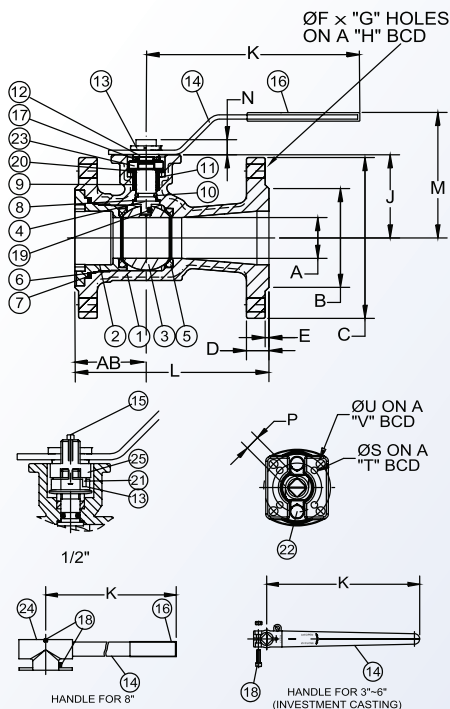
STANDARDS

DESIGN & CONSTRUCTION: API 607 / ISO 10497
TESTING & QUALIFICATION: API 607 / ISO 15848
CERTIFICATION & DOCUMENTATION: API 598 / API

SPECIFICATIONS

CONSTRUCTION: One-Piece Body
SIZE: 1/2" to 8" **STEM:** 316 SS
BODY: CF8M **SEAT:** TFM 1600
BALL: 316 SS
PRESSURE RATING: Class 150

MF9R MATERIALS LIST



NO.	PART NAME	STANDARD MATERIALS	OPTIONAL MATERIALS	QTY.
1	Body	ASTM A351 Grade CF8M, ASTM A216 Grade WCB		1
2	Body End Cap (150# Flange)	ASTM A351 Grade CF8M, ASTM A216 Grade WCB		1
3	Ball	ASTM A351 Grade CF8M		1
4	Seat	TFM 1600		2
5	Body Joint Gasket	TFM™-1600		1
6	Stem	ASTM A276 316SST		1
7	Stem Seal	TFM™-1600		1
8	Stem Packing Washer	AISI 304		1
9	Stem Packing	PTFE		1
10	Stem Packing Gland	PTFE		1
11	Stem Packing Belleville Washer	AISI 301		2
12	Stem Lock Handle	AISI 304		1
13	Stem Nut	AISI 304		2
14	Stem Washer	AISI 304		1
15	Handle	AISI 304		1
16	Handle Sleeve	VINYL		1
17	Body Bolt	ASTM A193 Grade B8		*
18	Body Bolt Nut	AISI 304		*
19	Handle Stop Bolt	AISI 304		1
20	Handle Stop Bolt Nut	AISI 304		1
21	Handle Lock	AISI 304		1
22	Stem O-Ring	FKM		1
23	Handle Stop Bolt Washer	304		1
24	Anti-Static Device	AISI 316		2
25	Handle Adaptor Bolt	AISI 304		1
26	Handle Adaptor	AISI 304		1
27	Handle Shaft	AISI 304		1

17* 1/2" to 2" 4 Nuts, 2-1/2" to 4": 8 Nuts, 6": 10 Nuts
 18* 1/2" to 2" 4 Bolts, 2-1/2" to 4": 8 Bolts, 6": 10 Bolts

DIMENSIONS (IN)

SIZE	A	B	C	D	E	F	H	K	L	M	T	Y	DD1	Z1	AC	AD	L1	L2	ISO 5211	LBS
1/4"	0.46	0.256	5.12	1.15	0.78	2.95	0.56	0.39	2.51	0.64	0.06	0.29	1.417	M5	0.98	0.374	2.47	5.43	F03	1.4
3/8"	0.5	0.256	5.12	1.15	0.78	2.95	0.69	0.39	2.51	0.69	0.06	0.29	1.417	M5	0.98	0.374	2.47	5.43	F03	1.4
1/2"	0.59	0.256	5.12	1.15	0.71	2.95	0.86	0.39	2.59	0.89	0.06	0.25	1.417	M5	0.98	0.374	2.59	5.43	F03	1.4
3/4"	0.79	0.256	5.12	1.28	0.8	3.03	1.07	0.51	3	1.08	0.06	0.32	1.417	M5	0.98	0.374	3	5.94	F03	1.7
1"	0.98	0.315	6.3	1.53	0.81	3.35	1.33	0.51	3.39	1.34	0.06	0.48	1.654	M5	1.18	0.433	3.39	6.46	F04	2.4
1-1/4"	1.26	0.315	6.3	1.59	0.98	3.62	1.69	0.51	4.05	1.68	0.06	0.45	1.654	M5	1.18	0.433	4.05	6.77	F04	3.7
1-1/2"	1.5	0.382	7.28	1.82	1.22	4.02	1.93	0.51	4.7	1.91	0.06	0.54	1.969	M6	1.38	0.551	4.7	6.97	F05	5.5
2"	1.97	0.382	7.28	2.15	1.22	4.33	2.41	0.63	5.17	2.38	0.06	0.54	1.969	M6	1.38	0.551	5.17	7.87	F05	8
2-1/2"	2.56	0.472	10.24	2.81	1.68	5.91	2.91	0.63	6.46	3	0.08	0.91	2.756	M8	2.17	0.748	6.46	8.86	F07	16.2
3"	3.15	0.472	10.24	3.33	1.55	6.38	3.54	0.63	7.19	3.54	0.08	0.74	4.016	M10	2.76	0.748	7.19	9.33	F10	23.5
4"	3.94	0.591	11.42	4.19	2.06	7.48	4.55	0.79	9.28	4.57	0.14	1.35	4.016	M10	2.76	0.945	9.3	10.94	F10	43.7

HOW TO ORDER

1) Series	2) Body	3) Connection	4) Size		5) Seat
MF9R	C - Carbon Steel S - Stainless Steel	F1 - 150# Flange	0050 - 1/2" 0075 - 3/4" 0100 - 1" 0150 - 1-1/2" 0200 - 2" 0250 - 2-1/2"	0300 - 3" 0400 - 4" 0600 - 6" 0800 - 8"	P - PTFE R - RTFE T - TFM™-1600
6) Ball	7) Stem	8) O-Ring		9) Operator	
X - Stainless Steel	X - Stainless Steel B - 17-4 PH	V - FKM/Viton®		X - Manual Handle B - Bare Stem	

Breakaway Torque (RTFE) & Cv Value

SIZE	MAX
1/2"	42
3/4"	65
1"	83
1-1/2"	183
2"	243
2-1/2"	504
3"	712
4"	842
6"	1649
8"	1947



10080 Commerce Park Dr.
 Cincinnati OH, 45246
 513-499-3820
 www.m-zcontrols.com

Distributed By:

SERIES MF9R AUTOMATED ASSEMBLIES

DOUBLE ACTING

60 PSI | STAINLESS STEEL

SIZE	Part Number
1/2"	MF9RS-F1-0050-TXXV/ZPD1DABA-XX
3/4"	MF9RS-F1-0075-TXXV/ZPD2DABA-XX
1"	MF9RS-F1-0100-TXXV/ZPD2DABA-XX
1-1/2"	MF9RS-F1-0150-TXXV/ZPD3DABA-XX
2"	MF9RS-F1-0200-TXXV/ZPD4DABA-XX
2-1/2"	MF9RS-F1-0250-TXXV/ZPD6DABA-XX
3"	MF9RS-F1-0300-TXXV/ZPD7DABX-XX
4"	MF9RS-F1-0400-TXXV/ZPD7DABX-XX
6"	MF9RS-F1-0600-TXXV/ZPD9DABX-XX
8"	MF9RS-F1-0800-TXXV/ZPDADABX-XX
10"	CF
12"	CF

80 PSI | STAINLESS STEEL

SIZE	Part Number
1/2"	MF9RS-F1-0050-TXXV/ZPD1DABA-XX
3/4"	MF9RS-F1-0075-TXXV/ZPD1DABA-XX
1"	MF9RS-F1-0100-TXXV/ZPD2DABA-XX
1-1/2"	MF9RS-F1-0150-TXXV/ZPD3DABA-XX
2"	MF9RS-F1-0200-TXXV/ZPD3DABA-XX
2-1/2"	MF9RS-F1-0250-TXXV/ZPD5DABA-XX
3"	MF9RS-F1-0300-TXXV/ZPD6DABA-XX
4"	MF9RS-F1-0400-TXXV/ZPD6DABA-XX
6"	MF9RS-F1-0600-TXXV/ZPD8DABX-XX
8"	MF9RS-F1-0800-TXXV/ZPDADABX-XX
10"	CF
12"	CF

SPRING RETURN

60 PSI | STAINLESS STEEL

SIZE	Part Number
1/2"	MF9RS-F1-0050-TXXV/ZPD2S4BA-XX
3/4"	MF9RS-F1-0075-TXXV/ZPD3S4BA-XX
1"	MF9RS-F1-0100-TXXV/ZPD4S4BA-XX
1-1/2"	MF9RS-F1-0150-TXXV/ZPD6S4BA-XX
2"	MF9RS-F1-0200-TXXV/ZPD6S4BA-XX
2-1/2"	MF9RS-F1-0250-TXXV/ZPD8S4BX-XX
3"	MF9RS-F1-0300-TXXV/ZPD9S4BX-XX
4"	MF9RS-F1-0400-TXXV/ZPDAS4BX-XX
6"	MF9RS-F1-0600-TXXV/ZPDCS4BX-XX
8"	MF9RS-F1-0800-TXXV/ZPDCS4BX-XX
10"	CF
12"	CF

80 PSI | STAINLESS STEEL

SIZE	Part Number
1/2"	MF9RS-F1-0050-TXXV/ZPD2S5BA-XX
3/4"	MF9RS-F1-0075-TXXV/ZPD3S5BA-XX
1"	MF9RS-F1-0100-TXXV/ZPD3S5BA-XX
1-1/2"	MF9RS-F1-0150-TXXV/ZPD5S5BA-XX
2"	MF9RS-F1-0200-TXXV/ZPD6S5BA-XX
2-1/2"	MF9RS-F1-0250-TXXV/ZPD8S5BX-XX
3"	MF9RS-F1-0300-TXXV/ZPD8S5BX-XX
4"	MF9RS-F1-0400-TXXV/ZPD9S5BX-XX
6"	MF9RS-F1-0600-TXXV/ZPDBS5BX-XX
8"	MF9RS-F1-0800-TXXV/ZPDBS5BX-XX
10"	CF
12"	CF



10080 Commerce Park Dr.
Cincinnati OH, 45246
513-499-3820
www.m-zcontrols.com

MF9R/Q1-26

Distributed By:

SERIES MF9R AUTOMATED ASSEMBLIES

ELECTRIC

ON/OFF | STAINLESS STEEL

SIZE	Part Number
1/2"	MF9RS-F1-0050-TXXV/ZE2XXX-XX
3/4"	MF9RS-F1-0075-TXXV/ZE2XXX-XX
1"	MF9RS-F1-0100-TXXV/ZE2XXX-XX
1-1/2"	MF9RS-F1-0150-TXXV/ZE2XXX-XX
2"	MF9RS-F1-0200-TXXV/ZE2XXX-XX
2-1/2"	MF9RS-F1-0250-TXXV/ZE2XXX-XX
3"	MF9RS-F1-0300-TXXV/ZE4XXX-XX
4"	MF9RS-F1-0400-TXXV/ZE4XXX-XX
6"	MF9RS-F1-0600-TXXV/ZE5XXX-XX
8"	MF9RS-F1-0800-TXXV/ZE6XXX-XX
10"	CF
12"	CF

MODULATING | STAINLESS STEEL

SIZE	Part Number
1/2"	MF9RS-F1-0050-TXXV/ZE2XXX-MX
3/4"	MF9RS-F1-0075-TXXV/ZE2XXX-MX
1"	MF9RS-F1-0100-TXXV/ZE2XXX-MX
1-1/2"	MF9RS-F1-0150-TXXV/ZE2XXX-MX
2"	MF9RS-F1-0200-TXXV/ZE2XXX-MX
2-1/2"	MF9RS-F1-0250-TXXV/ZE2XXX-MX
3"	MF9RS-F1-0300-TXXV/ZE4XXX-MX
4"	MF9RS-F1-0400-TXXV/ZE4XXX-MX
6"	MF9RS-F1-0600-TXXV/ZE5XXX-MX
8"	MF9RS-F1-0800-TXXV/ZE6XXX-MX
10"	CF
12"	CF



10080 Commerce Park Dr.
Cincinnati OH, 45246
513-499-3820
www.m-zcontrols.com

MF9R/Q1-26

Distributed By: