

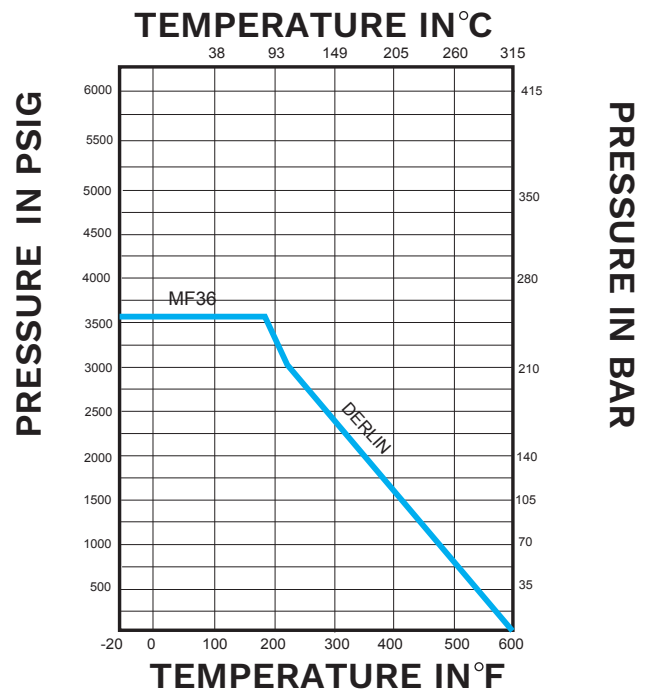


# SERIES MF36

**Firesafe  
High Pressure  
Two-Piece  
Ball Valves  
1/4" to 2"  
Full/Regular Port  
3600 PSI  
Seal Welded**



## MF36 PRESSURE VS. TEMPERATURE CHART



### DESIGN ADVANTAGES

- For general industrial and chemical applications.
- Two-piece design.
- Full port orifice minimizes pressure drop and prolongs life.
- Available in stainless or carbon steel.
- Blow-out proof stem.
- Investment cast body construction.

### END CONNECTIONS

- Threaded Ends

### STANDARDS

**DESIGN & CONSTRUCTION:** ASME B16.34

**THREAD & CONNECTION INTERFACES:** ASME B1.20.1

**TESTING & QUALIFICATION:** API 607

**PERFORMANCE & ENV. COMPLIANCE:** NACE MR0175 / ISO 15156

**CERTIFICATION & DOCUMENTATION:** EN 10204-3.1

### SPECIFICATIONS

**CONSTRUCTION:** Two-Piece Body, Full/Regular Port

**SIZE:** 1/4" to 2"

**STEM:** 17-4 PH

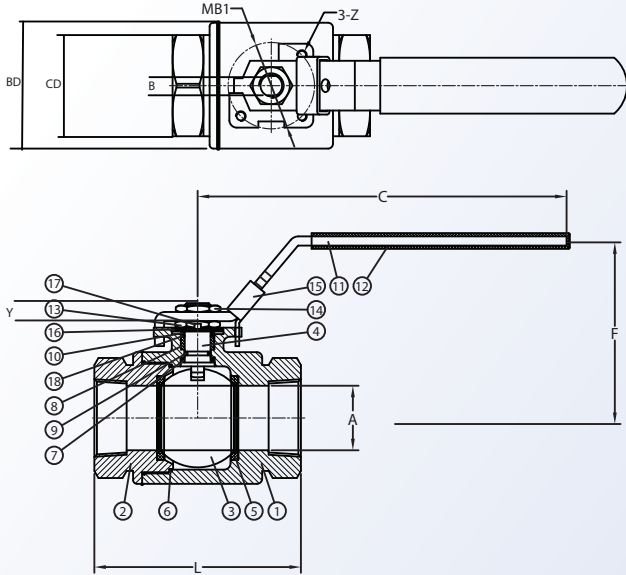
**BODY:** CF8M / WCB

**SEAT:** DELRIN

**BALL:** 17-4 PH

**PRESSURE RATING:** 3600 PSI

## MATERIALS LIST



NO.	PART NAME	MATERIAL	QTY.
1	Body	ASTM A351 GRADE CF8M / ASTM A216 GRADE WCB	1
2	Body   End Cap   Threaded	ASTM A351 GRADE CF8M / ASTM A216 GRADE WCB	1
3	Ball	ASTM A182 F316	1
4	Stem	17-4 PH	1
5	Seat	PEEK	2
6	Body   Joint Gasket	GRAPHITE	1
7	Stem   Washer	RTFE / PEEK	1
8	Stem   Packing	GRAPHITE	1
9	Stem   O-Ring	FKM/Viton®	1
10	Stem   Packing Gland	AISI 304	1
11	Handle	AISI 304	1
12	Handle   Sleeve	VINYL	1
13	Stem   Nut	AISI 304	1
14	Handle   Nut	AISI 304	1
15	Handle   Lock	AISI 304	1
16	Stem   Packing   Belleville Washer	AISI 301	1
17	Stem   Lock Saddle	AISI 304	1
18	Stem   Packing   Washer	RTFE	1

## DIMENSIONS (IN)

SIZE	PORT	A	B	C	F	E	Y	L	AD	BD	CD	DD1	Z	ISO 5211	LBS
1/4"	Full	0.39	0.240	5.00	2.30	0.40	0.24	3.54		1.34	1.02	1.42	M5	F03	1.3
3/8"	Full	0.49	0.240	5.00	2.30	0.40	0.24	3.54		1.34	1.02	1.42	M5	F03	1.2
1/2"	Regular	0.59	0.240	5.00	2.50	0.52	0.31	3.86		1.63	1.22	1.42	M5	F03	1.7
3/4"	Full	0.79	0.280	5.71	2.87	0.59	0.39	4.25		1.85	1.52	1.65	M5	F04	2.5
1"	Regular	0.98	0.390	5.71	3.15	0.59	0.39	4.49		2.17	1.85	1.65	M5	F04	3.5
1-1/2"	Full	1.5	0.470	7.87	4.76	0.75	0.55	6.30		3.08	2.6	2.76	M8	F07	9.6
2"	Regular	1.97	0.470	7.87	4.76	0.75	0.58	6.30		4.00	3.23	2.76	M8	F07	14.1

## HOW TO ORDER

1) Series	2) Body Material	3) Connection	4) Size	5) Seats
MF36	S - Stainless Steel C - Carbon Steel	TH - Threaded	0025 - 1/4" 0050 - 1/2" 0075 - 3/4" 0100 - 1" 0150 - 1-1/2" 0200 - 2"	D - DELRIN
6) Ball	7) Stem	8) O-Ring	9) Operator	
X - Stainless Steel	B - 17-4 PH®	V - FKM/Viton®	X - Manual Handle B - Bare Stem	

How to Order: {1}{2}-{3}-{4}-{5}{6}{7}{8}-{9}  
 Example: MF36S-TH-0025-DXBV-X

## Torque Table (In Lbs.) & Value CV

SIZE	1000 PSI	2000 PSI	3000 PSI	VALUE CV
1/4"	110	115	125	7
1/2"	110	115	125	15
3/4"	260	265	300	30
1"	275	285	350	32
1-1/2"	700	800	1050	120
2"	725	875	1100	120



10080 Commerce Park Dr.  
 Cincinnati OH, 45246  
 513-499-3820  
 www.m-zcontrols.com

MF36/Q1-26

Distributed By:

# SERIES MF36 AUTOMATED ASSEMBLIES

## DOUBLE ACTING

### 60 PSI | STAINLESS STEEL

SIZE	Part Number
1/4"	MF36S-TH-0025-DXBV/ZPD3DABA-XX
1/2"	MF36S-TH-0050-DXBV/ZPD3DABA-XX
3/4"	MF36S-TH-0075-DXBV/ZPD4DABA-XX
1"	MF36S-TH-0100-DXBV/ZPD5DABA-XX
1-1/2"	MF36S-TH-0150-DXBV/ZPD8DABX-XX
2"	MF36S-TH-0200-DXBV/ZPD8DABX-XX

### 80 PSI | STAINLESS STEEL

SIZE	Part Number
1/4"	MF36S-TH-0025-DXBV/ZPD2DABA-XX
1/2"	MF36S-TH-0050-DXBV/ZPD2DABA-XX
3/4"	MF36S-TH-0075-DXBV/ZPD4DABA-XX
1"	MF36S-TH-0100-DXBV/ZPD4DABA-XX
1-1/2"	MF36S-TH-0150-DXBV/ZPD7DABX-XX
2"	MF36S-TH-0200-DXBV/ZPD7DABX-XX

## SPRING RETURN

### 60 PSI | STAINLESS STEEL

SIZE	Part Number
1/4"	MF36S-TH-0025-DXBV/ZPD5S4BA-XX
1/2"	MF36S-TH-0050-DXBV/ZPD5S4BA-XX
3/4"	MF36S-TH-0075-DXBV/ZPD7S4BX-XX
1"	MF36S-TH-0100-DXBV/ZPD7S4BX-XX
1-1/2"	MF36S-TH-0150-DXBV/ZPDAS4BX-XX
2"	MF36S-TH-0200-DXBV/ZPDAS4BX-XX

### 80 PSI | STAINLESS STEEL

SIZE	Part Number
1/4"	MF36S-TH-0025-DXBV/ZPD4S5BA-XX
1/2"	MF36S-TH-0050-DXBV/ZPD4S5BA-XX
3/4"	MF36S-TH-0075-DXBV/ZPD6S5BA-XX
1"	MF36S-TH-0100-DXBV/ZPD7S5BX-XX
1-1/2"	MF36S-TH-0150-DXBV/ZPDAS5BX-XX
2"	MF36S-TH-0200-DXBV/ZPDAS5BX-XX

## ELECTRIC

### ON/OFF | STAINLESS STEEL

SIZE	Part Number
1/4"	MF36S-TH-0025-DXBV/ZE2XXX-XX
1/2"	MF36S-TH-0050-DXBV/ZE2XXX-XX
3/4"	MF36S-TH-0075-DXBV/ZE2XXX-XX
1"	MF36S-TH-0100-DXBV/ZE2XXX-XX
1-1/2"	MF36S-TH-0150-DXBV/ZE4XXX-XX
2"	MF36S-TH-0200-DXBV/ZE4XXX-XX

### MODULATING | STAINLESS STEEL

SIZE	Part Number
1/4"	MF36S-TH-0025-DXBV/ZE2XXX-MX
1/2"	MF36S-TH-0050-DXBV/ZE2XXX-MX
3/4"	MF36S-TH-0075-DXBV/ZE2XXX-MX
1"	MF36S-TH-0100-DXBV/ZE2XXX-MX
1-1/2"	MF36S-TH-0150-DXBV/ZE4XXX-MX
2"	MF36S-TH-0200-DXBV/ZE4XXX-MX



10080 Commerce Park Dr.  
Cincinnati OH, 45246  
513-499-3820  
www.m-zcontrols.com

MF36/Q1-26

Distributed By: