

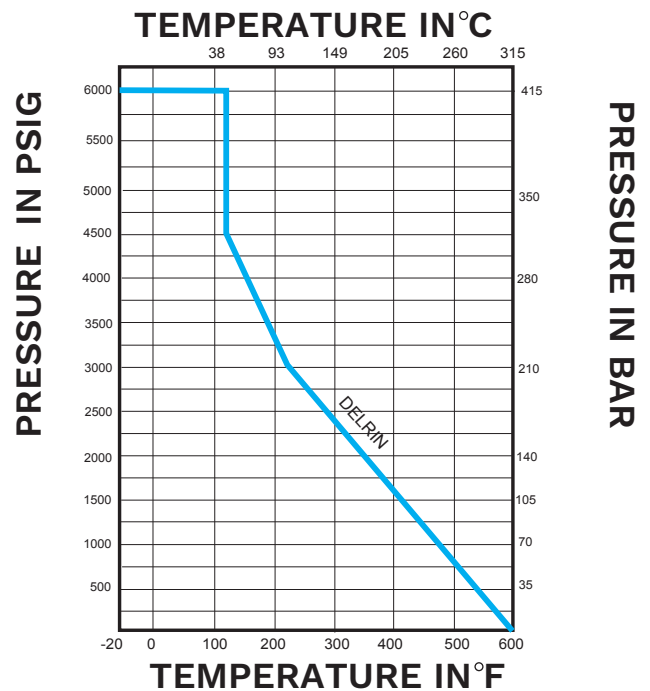


# SERIES MF60

**Firesafe  
High Pressure  
Two-Piece  
Ball Valves  
1/4" to 2"  
Full/Regular Port  
6000 PSI  
Seal Welded**



## M60 PRESSURE VS. TEMPERATURE CHART



### DESIGN ADVANTAGES

- For general industrial and chemical applications.
- Two-piece design.
- Full port orifice minimizes pressure drop and prolongs life.
- Blow-out proof stem.
- Available in stainless or carbon steel.
- Investment cast body construction.

### END CONNECTIONS

- Threaded Ends

### STANDARDS

**DESIGN & CONSTRUCTION:** ASME B16.34

**THREAD & CONNECTION INTERFACES:** ASME B1.20.1

**TESTING & QUALIFICATION:** API 607

**PERFORMANCE & ENV. COMPLIANCE:** NACE MR0175 / ISO 15156

**CERTIFICATION & DOCUMENTATION:** EN 10204-3.1

### SPECIFICATIONS

**CONSTRUCTION:** Two-Piece Body, Full/Regular Port

**SIZE:** 1/4" to 2"

**BODY:** CF8M / WCB

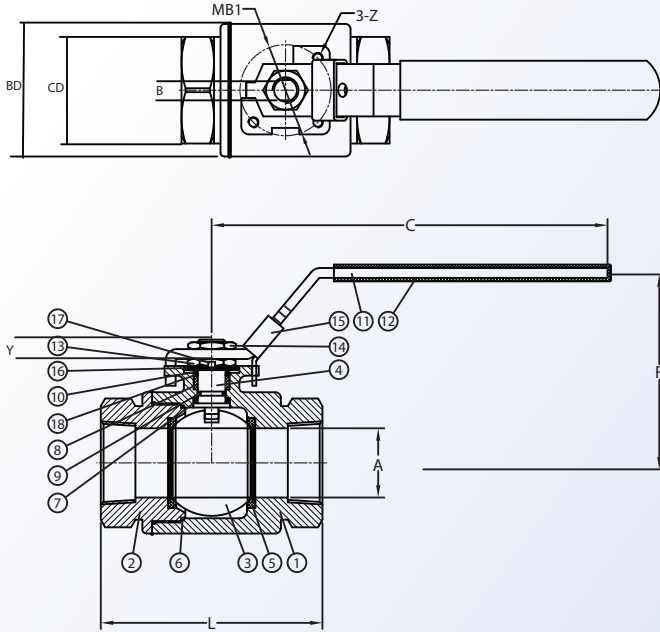
**BALL:** 17-4 PH

**STEM:** 17-4 PH

**SEAT:** DELRIN

**PRESSURE RATING:** 6000 PSI

## MATERIALS LIST



NO.	PART NAME	MATERIAL	QTY.
1	Body	ASTM A351 GRADE CF8M / ASTM A216 GRADE WCB	1
2	Body   End Cap   Threaded	ASTM A351 GRADE CF8M / ASTM A216 GRADE WCB	1
3	Ball	ASTM A182 F316	1
4	Stem	ASTM A276 SS 316	1
5	Seat	PEEK	2
6	Body   Joint Gasket	GRAPHITE	1
7	Stem   Washer	GRAPHITE / PEEK	1
7	Stem   Washer	GRAPHITE / PEEK	1
9	Stem   Packing Gland   Nut	AISI 304	1
10	Handle	AISI 304	1
11	Handle   Lock	AISI 304	1
12	Handle   Sleeve	VINYL	1
13	Handle   Nut	AISI 304	1
14	Seat   O-Ring	FKM/Viton®	1
15	Anti-Static Device	ASTM A276 SS 316	1
16	Stem   O-Ring	FKM/Viton®	1

## DIMENSIONS (IN)

SIZE	PORT	A	B	C	F	E	Y	L	AD	BD	CD	DD1	Z	ISO 5211	LBS
1/4"	Full	0.45	0.310	5.22	2.30	0.61	0.39	3.23		1.73	1.26	1.420	M5	F03	1.9
3/8"	Regular	0.49	0.310	5.22	2.30	0.61	0.39	3.23		1.73	1.26	1.420	M5	F03	1.8
1/2"	Full	0.49	0.310	5.22	2.50	0.61	0.39	4.00		1.73	1.42	1.420	M5	F03	2.2
3/4"	Full	0.62	0.350	5.71	2.87	0.70	0.53	4.25		2.44	1.77	1.650	M5	F04	4.2
1"	Full	0.87	0.350	8.27	3.15	1.04	0.71	4.80		2.68	2.13	1.970	M6	F04	6.1
1-1/2"	Full	1.50	0.470	13.78	4.76	1.18	0.98	5.28		3.86	3.01	2.760	M8	F07	13.6
2"	Regular	1.50	0.470	13.78	4.76	1.28	0.98	6.22		3.86	3.6	2.760	M8	F07	16.7

## HOW TO ORDER

1) Series	2) Body Material	3) Connection	4) Size	5) Seats
MF60	S - Stainless Steel C - Carbon Steel	TH - Threaded	0025 - 1/4" 0038 - 3/8" 0050 - 1/2" 0075 - 3/4" 0100 - 1" 0150 - 1-1/2" 0200 - 2"	D - DELRIN
6) Ball	7) Stem	8) O-Ring	9) Operator	
X - Stainless Steel	B - 17-4 PH®	V - FKM/Viton®	X - Manual Handle B - Bare Stem	

How to Order: {1}{2}-{3}-{4}-{5}{6}{7}{8}-{9}  
Example: MF60S-TH-0025-XXXX

## Torque Table (In Lbs.) & Value CV

SIZE	1000 PSI	2000 PSI	3000 PSI	VALUE CV
1/4"	110	125	175	7
3/8"	110	125	175	5
1/2"	110	125	175	15
3/4"	260	265	300	30
1"	325	375	450	50
1 1/2"	650	655	900	120
2"	700	725	1200	120

SIZE	4000 PSI	5000 PSI	6000 PSI
1/4"	225	310	350
3/8"	225	310	350
1/2"	225	310	350
3/4"	375	400	500
1"	625	675	750
1 1/2"	1000	1200	1500
2"	1200	1600	1900



10080 Commerce Park Dr.  
Cincinnati OH, 45246  
513-499-3820  
www.m-zcontrols.com

MF60/Q1-26

Distributed By:

# SERIES MF60 AUTOMATED ASSEMBLIES

## DOUBLE ACTING

### 60 PSI | STAINLESS STEEL

SIZE	Part Number
1/4"	MF60S-TH-0025-DXBV/ZPD5DABA-XX
3/8"	MF60S-TH-0038-DXBV/ZPD5DABA-XX
1/2"	MF60S-TH-0050-DXBV/ZPD5DABA-XX
3/4"	MF60S-TH-0075-DXBV/ZPD6DABA-XX
1"	MF60S-TH-0100-DXBV/ZPD7DABX-XX
1-1/2"	MF60S-TH-0150-DXBV/ZPD8DABX-XX
2"	MF60S-TH-0200-DXBV/ZPD9DABX-XX

### 80 PSI | STAINLESS STEEL

SIZE	Part Number
1/4"	MF60S-TH-0025-DXBV/ZPD4DABA-XX
3/8"	MF60S-TH-0038-DXBV/ZPD4DABA-XX
1/2"	MF60S-TH-0050-DXBV/ZPD4DABA-XX
3/4"	MF60S-TH-0075-DXBV/ZPD5DABA-XX
1"	MF60S-TH-0100-DXBV/ZPD6DABA-XX
1-1/2"	MF60S-TH-0150-DXBV/ZPD8DABX-XX
2"	MF60S-TH-0200-DXBV/ZPD8DABX-XX

## SPRING RETURN

### 60 PSI | STAINLESS STEEL

SIZE	Part Number
1/4"	MF60S-TH-0025-DXBV/ZPD7S4BX-XX
3/8"	MF60S-TH-0038-DXBV/ZPD7S4BX-XX
1/2"	MF60S-TH-0050-DXBV/ZPD7S4BX-XX
3/4"	MF60S-TH-0075-DXBV/ZPD8S4BX-XX
1"	MF60S-TH-0100-DXBV/ZPDAS4BX-XX
1-1/2"	MF60S-TH-0150-DXBV/ZPDBS4BX-XX
2"	MF60S-TH-0200-DXBV/ZPDCS4BX-XX

### 80 PSI | STAINLESS STEEL

SIZE	Part Number
1/4"	MF60S-TH-0025-DXBV/ZPD7S5BX-XX
3/8"	MF60S-TH-0038-DXBV/ZPD7S5BX-XX
1/2"	MF60S-TH-0050-DXBV/ZPD7S5BX-XX
3/4"	MF60S-TH-0075-DXBV/ZPD8S5BX-XX
1"	MF60S-TH-0100-DXBV/ZPD9S5BX-XX
1-1/2"	MF60S-TH-0150-DXBV/ZPDAS5BX-XX
2"	MF60S-TH-0200-DXBV/ZPDBS5BX-XX

## ELECTRIC

### ON/OFF | STAINLESS STEEL

SIZE	Part Number
1/4"	MF60S-TH-0025-DXBV/ZE2XXX-XX
3/8"	MF60S-TH-0038-DXBV/ZE2XXX-XX
1/2"	MF60S-TH-0050-DXBV/ZE2XXX-XX
3/4"	MF60S-TH-0075-DXBV/ZE2XXX-XX
1"	MF60S-TH-0100-DXBV/ZE4XXX-XX
1-1/2"	MF60S-TH-0150-DXBV/ZE5XXX-XX
2"	MF60S-TH-0200-DXBV/ZE6XXX-XX

### MODULATING | STAINLESS STEEL

SIZE	Part Number
1/4"	MF60S-TH-0025-DXBV/ZE2XXX-MX
3/8"	MF60S-TH-0038-DXBV/ZE2XXX-MX
1/2"	MF60S-TH-0050-DXBV/ZE2XXX-MX
3/4"	MF60S-TH-0075-DXBV/ZE2XXX-MX
1"	MF60S-TH-0100-DXBV/ZE4XXX-MX
1-1/2"	MF60S-TH-0150-DXBV/ZE5XXX-MX
2"	MF60S-TH-0200-DXBV/ZE6XXX-MX



10080 Commerce Park Dr.  
Cincinnati OH, 45246  
513-499-3820  
www.m-zcontrols.com

MF60/Q1-26

Distributed By: